

# Spare Parts List

# Tortoise G

**Model SCL3000A**

**Model SCL3000AP**

**(Without Pricing)**

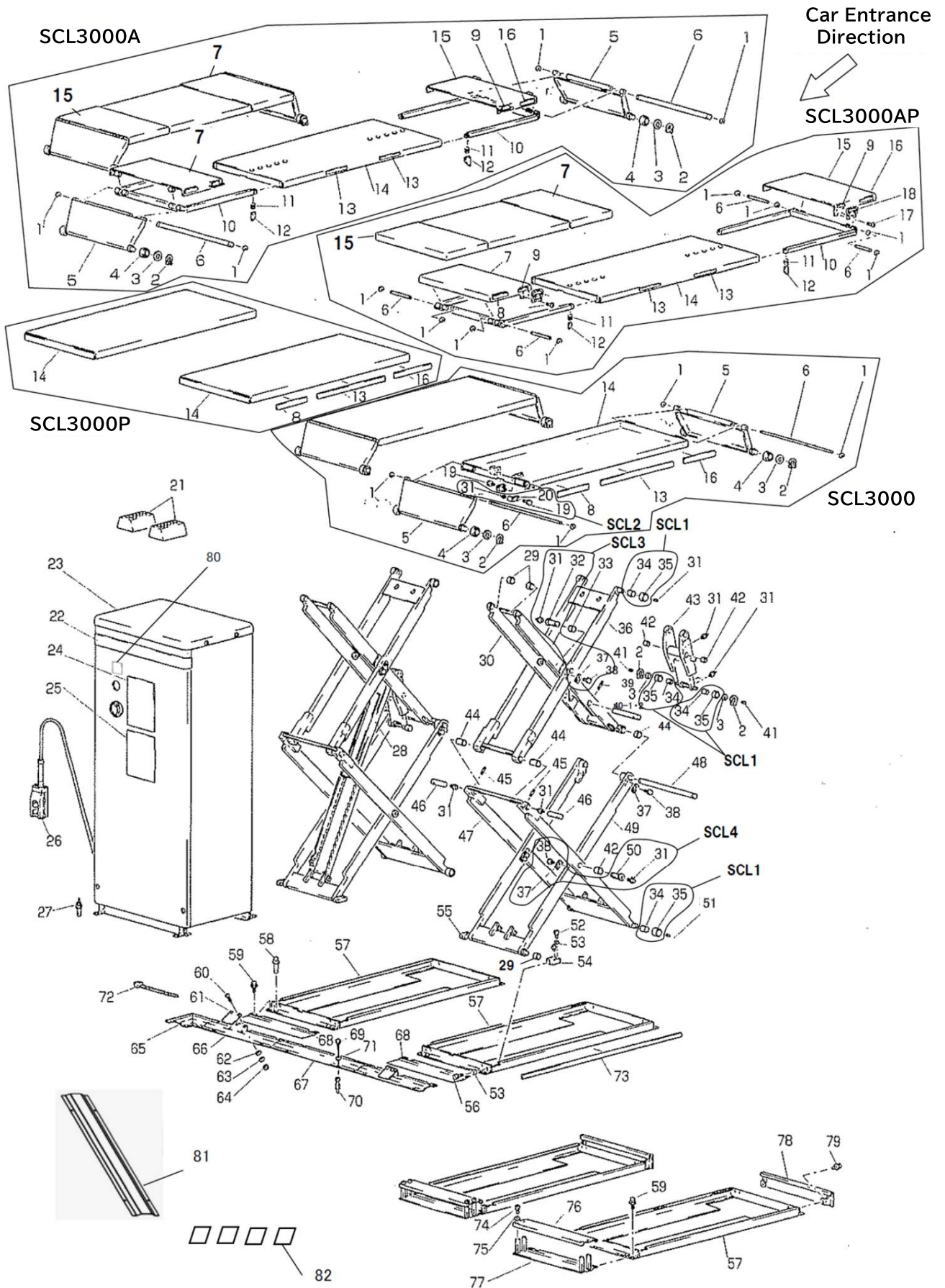
**Note :**

Ask Bishamon for Export Model Info. of Hyd. Unit and Electric Components. Serial No. Info. would be Required. Some parts Info. shown in this Parts List could be only for Japanese market.

# Contents

	(Page)
Contents	1)
1 Overall View	2) ~ 5)
2 Cylinder	6) ~ 9)
3 Hyd. Hose	10) ~ 11)
4 Hyd. Unit (Before 0003007)	12) ~ 15)
5 Hyd. Unit Case	16) ~ 17)
6 Synchro Cylinder (Before 0003007)	18) ~ 19)
7 Sub Plate (Before March 2004)	20) ~ 21)
8 Hook Release Cylinder (Before March 2004)	22) ~ 23)
9 Hyd. Unit (0003008~March 2004)	24) ~ 27)
10 Synchro Cylinder (0003008~March 2004)	28) ~ 29)
11 Hyd. Unit (After April 2004)	30) ~ 33)
12 Valve etc. (After April 2004)	34) ~ 35)
13 Details of Sub Plate and Valve Lever (After April 2004)	36) ~ 37)
14 Synchro Cylinder (After April 2004)	38) ~ 39)

# Overall View

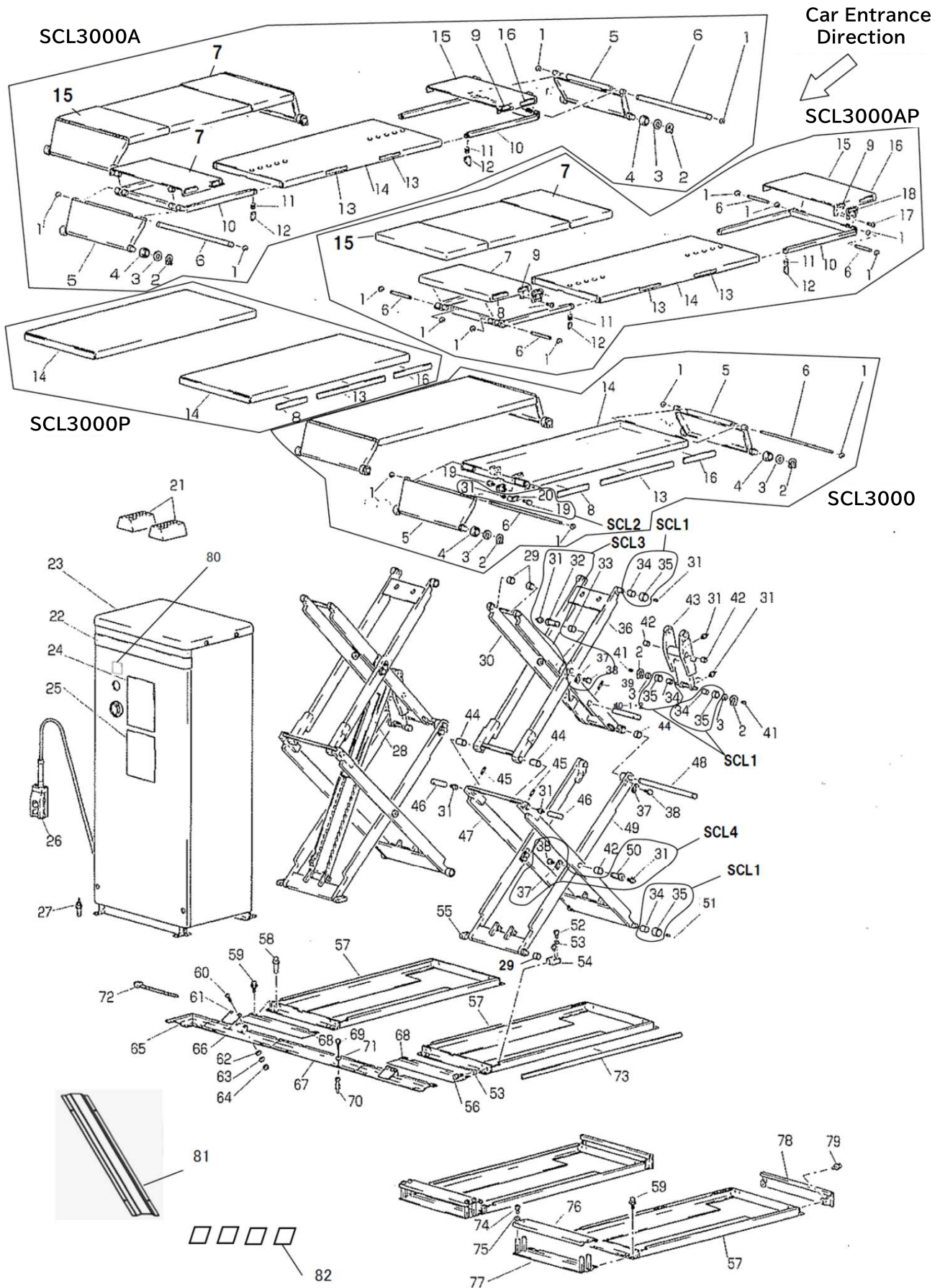


# Overall View

# SCL3000 Series

Ill. No.	Parts No.	Parts Name	Standard	Change Date & Note	Qty/Unit				Price/ea.
					3000	3000A	3000P	3000AP	
SCL1	75007220	Guide Roller Assy	(34 · 35)		12	12	12	12	
SCL2	75007260	Link Fulcrum Pin Assy	(19 · 20 · 31)		4	4	4	4	
SCL3	75007240	S Link Center Shaft Assy	(31 · 32 · 37 · 38)		4	4	4	4	
SCL4	75007200	M Link Center Shaft Assy	(31 · 37 · 38 · 50)		4	4	4	4	
SCL21	70311800	Slide Cover L Assy	(7-1 · 8 · 9)		N/A	2	N/A	N/A	
SCL22	70312100	Slide Cover L Assy	(7-2 · 8 · 9)		N/A	N/A	N/A	2	
SCL23	70311780	Slide Cover R Assy	(15-1 · 9 · 16)		N/A	2	N/A	N/A	
SCL24	70312060	Slide Cover R Assy	(15-2 · 9 · 16)		N/A	N/A	N/A	2	
1-1	80847009	Snap Ring	E6SE	Before Oct. 2004	8	8	16	16	
1-2	80845000	Snap Ring	RR08	After Nov. 2004	8	8	16	16	
2	80845011	Snap Ring	RR020		12	12	4	4	
3	90931220	Washer	PWS20SE		12	12	4	4	
4	11462700	Drive-In Roller			8	8	N/A	N/A	
5	00311120	Drive-In Ramp			4	4	N/A	N/A	
6-1	71785880	Drive-In Ramp Fulcrum Shaft		Supplied with 1-2	4	4	N/A	N/A	
6-2	71788220	Drive-In Ramp Fulcrum Shaft		Supplied with 1-2	N/A	N/A	N/A	8	
7-1	N/A	Slide Cover L	Replace by SCL21		N/A	2	N/A	N/A	N/A
7-2	N/A	Slide Cover L	Replace by SCL21		N/A	N/A	N/A	2	N/A
8	51325300	Capacity Label			2	2	2	2	
9	11787720	CG Label A			N/A	4	N/A	4	
10	00311760	Slide Arm			N/A	4	N/A	4	
11	11787800	Slide Stopper Spring			N/A	8	N/A	8	
12	11787780	Slide Stopper			N/A	8	N/A	8	
13-1	50627080	CG Label			2	N/A	2	N/A	
13-2	11787740	CG Label B			N/A	4	N/A	4	
14	N/A	Supporter			2	2	2	2	N/A
15-1	N/A	Slide Cover R	Replace by SCL23		N/A	2	N/A	N/A	N/A
15-2	N/A	Slide Cover R	Replace by SCL24		N/A	N/A	N/A	2	N/A
16-1	N/A	"Bishamon" Label	Replace by 16-2	Before Dec. 2005	2	2	2	2	N/A
16-2	52606403	"Bishamon" Label		After Jan. 2006	2	2	2	2	
17	90800506	Pan Head Screw	MSR0506SE		N/A	N/A	N/A	16	
18	59051010	Grip	A-175-3		N/A	N/A	N/A	4	
19	90890812	Hex Bolt	HBS0812SE		4	4	4	4	
20	00310920	Link Fulcrum Pin			4	4	4	4	
21-1	51313020	Side Sill Block	Height-70mm		N/A	N/A	4	4	
21-2	11520520	Support Pad	Height-30mm		4	4	N/A	N/A	
22	11784050	Unit Stripe Label		Before Dec. 2005	1	1	1	1	
23-1	00311141	Hyd. Unit Assy	New and Old Compatible (with Case)		1	1	1	1	
23-2	30311141	Hyd. Unit Assy	New and Old Compatible (without Case)		1	1	1	1	
24	20001144	Caution Label H			1	1	1	1	
25-1	N/A	Caution Label A	Replace by 25-2	Before Mar. 2004	1	1	1	1	N/A
25-2	20001141	Caution Label A		After 0404001	1	1	1	1	
26-1	71317600	Push Button Switch	No Cable included	COB61	1	1	1	1	
26-2	00469720	Push Button Switch Assy	COB61+Cable 10M		1	1	1	1	
27	91010870	Anchor Bolt	AAC-0870		2	2	2	2	
28-1	N/A	"Bishamon" Label	Replace by 28-2	Before Dec. 2005	2	2	2	2	N/A
28-2	51311024	"Bishamon" Label		After Jan. 2006	2	2	2	2	
29	81772020	Drymet LF Bushing	LFB-2020		8	8	8	8	
30	N/A	S Inner Link			2	2	2	2	N/A
31	80827006	Grease Fitting (GNAM6X0.75)		Qty was changed after Apr. 2000	34→30				
32	11784360	S Link Center Shaft			4	4	4	4	
33	81772530	Drymet LF Bushing	LFB-2530		4	4	4	4	
34	81772040	Drymet LF Bushing	LFB-2030		12	12	12	12	
35	11784280	Guide Roller			12	12	12	12	
36	N/A	S Outer Link			2	2	2	2	N/A
37	11784220	Link Center Shaft Stopper			2	2	2	2	
38	90890815	Hex Bolt	HBS0815SE		24	24	24	24	
39-1	90980575	Roll Pin	SRP0575	Before Feb. 1999	4	4	4	4	
39-2	90980675	Roll Pin	SRP0675	Feb. 1999~Mar. 2000	4	4	4	4	
39-3	90980650	Roll Pin	SRP0650	After Apr. 2000	4	4	4	4	

# Overall View



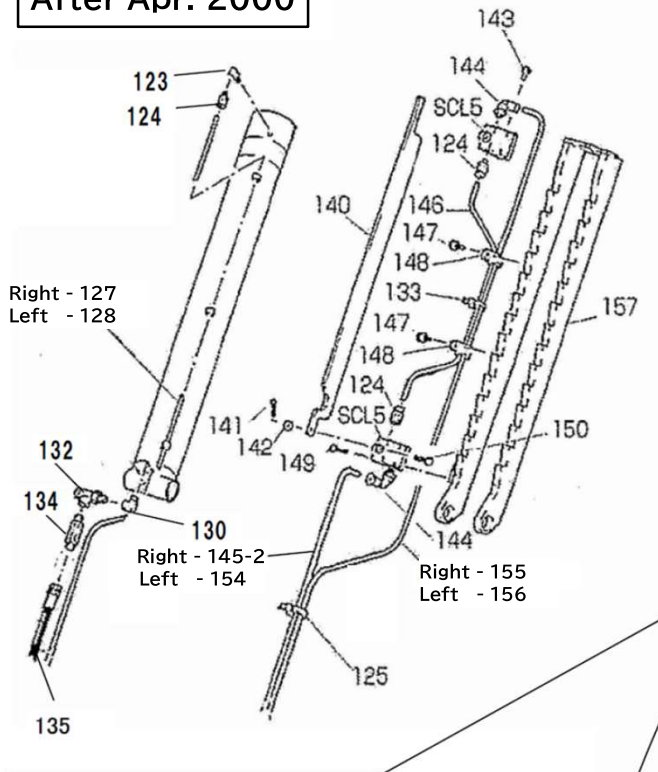
# Overall View

# SCL3000 Series

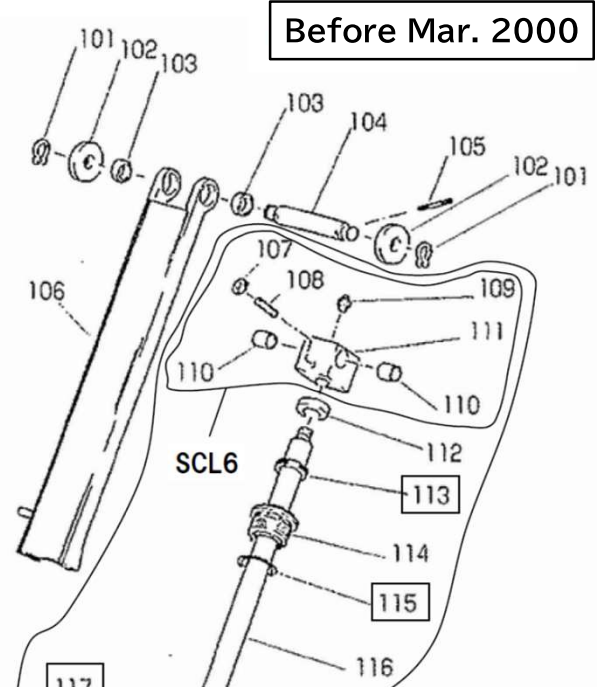
Ill. No.	Parts No.	Parts Name	Standard	Change Date & Note	Qty/Unit				Price/ea.
					3000	3000A	3000P	3000AP	
40-1	N/A	Cam Plate Shaft	Roll Pin Hole $\Phi$ 5	Before Feb. 1999	2	2	2	2	N/A
40-2	11784300	Cam Plate Shaft	Roll Pin Hole $\Phi$ 6	After Feb. 1999	2	2	2	2	
41-1	80850001	Hex Socket Head Cap Plug	HSP1/8	Before Mar. 2000	4	4	4	4	
41-2	80827006	Grease Fitting	GNAM6X0.75	After Apr. 2000	4	4	4	4	
42	81773030	Drymet LF Bushing	LFB-3030		8	8	8	8	
43	00310900	Cam Plate			2	2	2	2	
44	81772830	Drymet LF Bushing	LFB-2830		12	12	12	12	
45-1	90980545	Roll Pin	SRP0545	Before Oct. 2004	4	4	4	4	
45-2	90980645	Roll Pin	SRP0645	After Nov. 2004	4	4	4	4	
46-1	11784260	Link Fulcrum Shaft B		Before Oct. 2004	4	4	4	4	
46-2	11784261	Link Fulcrum Shaft B		After Nov. 2004	4	4	4	4	
47	N/A	M Outer Link			2	2	2	2	N/A
48	11784240	Link Fulcrum Shaft A			2	2	2	2	
49	N/A	M Inner Link			2	2	2	2	N/A
50	11784200	M Link Center Shaft			4	4	4	4	
51	90961010	Hex Socket Head Cap Screw	HSS1010		4	4	4	4	
52	90921035	Hex Socket Head Cap Bolt	HSB1035		4	4	4	4	
53	90930510	Spring Washer	SW10SE		8	8	8	8	
54	75007540	Fulcrum Bearing L Assy	(29 · 31 · 54)		2	2	2	2	
55	75007560	Fulcrum Bearing R Assy	(29 · 31 · 55)		2	2	2	2	
56	90921015	Hex Socket Head Cap Bolt	HSB1015		4	4	4	4	
57	N/A	Base			2	2	2	2	N/A
58	91011612	Anchor Bolt	AAC-1612		8	8	8	8	
59-1	90790815	Hex Bolt with Washer	HBPS0815SE		4	4	N/A	N/A	
59-2	90790812	Hex Bolt with Washer	HBPS0812SE		N/A	N/A	4	4	
60	91030410	Screw	MST0410SE	Abolished after Aug. 2001	4	4	N/A	N/A	
61	11787400	Slide Shoe		Abolished after Aug. 2001	2	2	N/A	N/A	
62	90930704	Flat Washer	PW04SE	Abolished after Aug. 2001	4	4	N/A	N/A	
63	90930504	Spring Washer	SW04SE	Abolished after Aug. 2001	4	4	N/A	N/A	
64	90932404	Hex Nut	HCN04SE	Abolished after Aug. 2001	4	4	N/A	N/A	
65-1	00311670	Piping Cover D		Before Dec. 2013	1	1	N/A	N/A	
65-2	11787430	Piping Cover F		After Jan. 2014	1	1	N/A	N/A	
66-1	00311660	Piping Cover		Before Aug. 2001	2	2	N/A	N/A	
66-2	00311661	Piping Cover		After Sep. 2001	2	2	N/A	N/A	
67	11787420	Piping Cover Center			1	1	N/A	N/A	
68	11787380	Piping Cover C			2	2	N/A	N/A	
69	90720635	Hex Tapping Screw	0635SE		20	20	N/A	N/A	
70	80825708	Fischer Plug	S8		20	20	N/A	N/A	
71	90930706	Flat Washer	PW06SE		20	20	N/A	N/A	
72	80825291	Vinyl Fastener	CV-150		10	10	10	10	
73	11784060	Stride Tape			2	2	N/A	N/A	
74	51313080	Pit Cover Fixing Bolt	HSR1016		N/A	N/A	8	8	
75	51313100	Pit Cover Fixing Washer	PW10		N/A	N/A	8	8	
76-1	11788020	Rear Pit Cover		Before Dec. 2006	N/A	N/A	2	N/A	
76-2	N/A	Rear Pit Cover	Replace by 76-3+77-2	Before Dec. 2006	N/A	N/A	N/A	2	N/A
76-3	11788280	Rear Pit Cover		After Jan. 2007	N/A	N/A	N/A	2	
77-1	N/A	Pit Cover Supporter (P Model)	Replace by 76-1+77-2	Before Dec. 2006	N/A	N/A	2	2	N/A
		Pit Cover Supporter (AP Model)	Replace by 76-3+77-2						
77-2	00311861	Pit Cover Supporter		After Jan. 2007	N/A	N/A	N/A	2	
78	00311880	Front Pit Cover			N/A	N/A	2	N/A	
79	90891220	Hex Bolt with Washer	HBS1220SE		N/A	N/A	4	N/A	
80-1	N/A	Caution Label E	Replace by 80-2	Aug. 2001~0601011	1	1	1	1	N/A
80-2	20001143	Caution Label E		After 0601012	1	1	1	1	
81	11784000	Piping Cover L	L=1219mm		3	3	3	3	
82	75007500	Levelling Spacer (12ea. X t0.8 · 1.6 · 3 · 6)			1	1	1	1	

# Cylinder

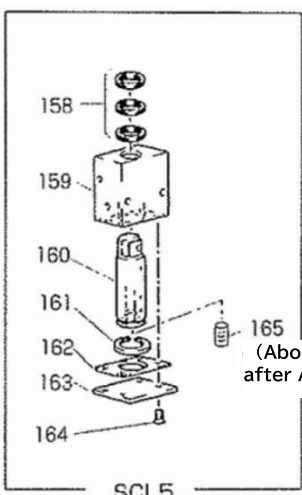
After Apr. 2000



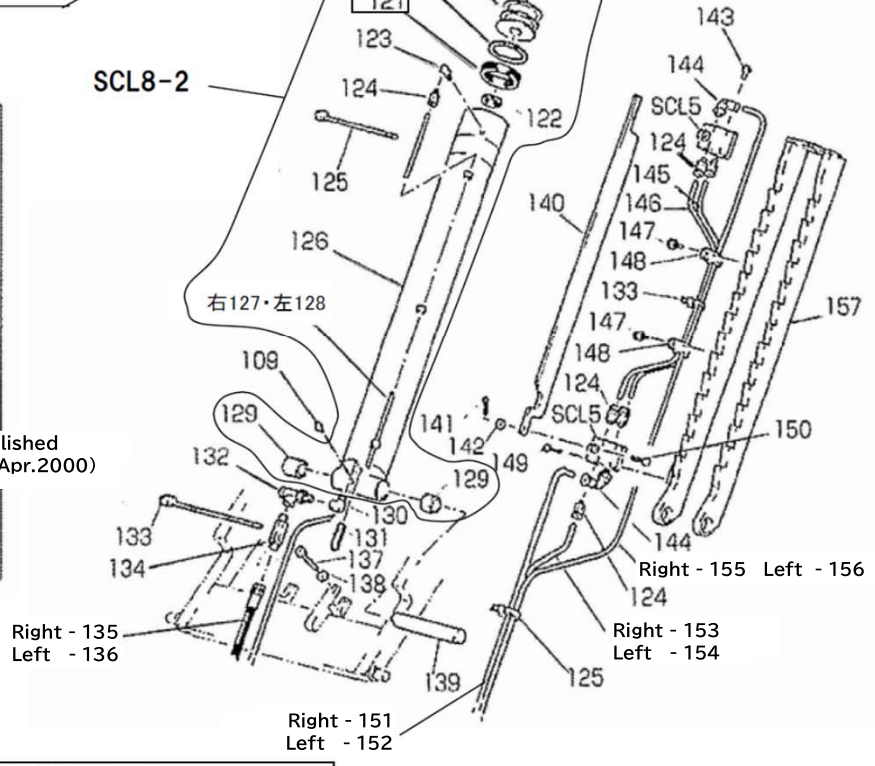
Before Mar. 2000



※ □ Marking Parts : SCL7



SCL8-2



Special Nut Removing Tool is required to disassemble Piston (FUT#05)  
Part No. 75106520 (Page 9)



# Cylinder

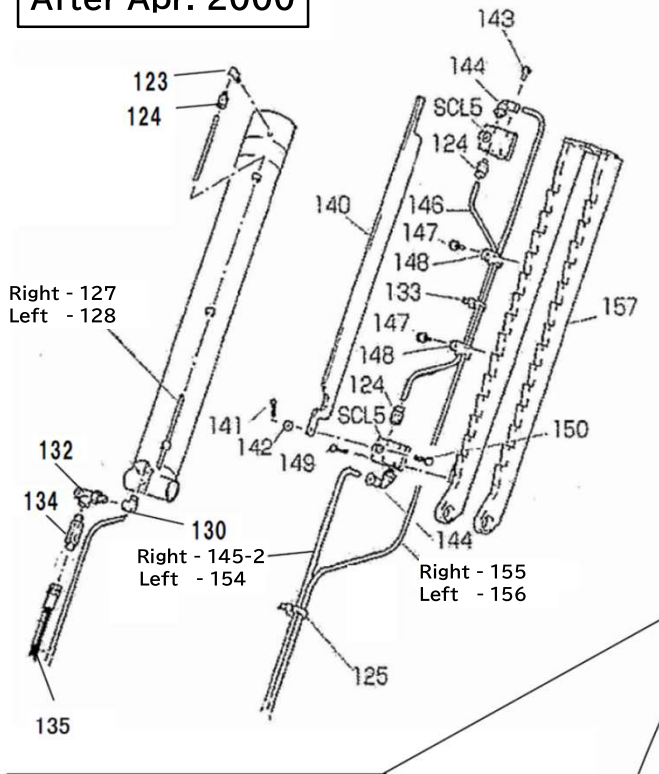
# SCL3000 Series

Ill. No.	Parts No.	Parts Name	Standard	Change Date & Note	Qty/Unit				Price/ea.
					3000	3000A	3000P	3000AP	
SCL5	00311060	Hook Release Cylinder Assy ※Air Piping 4ea. or 3ea.	158-1・159-1・160-1・ 161-1・162~165	Before Mar. 2000	4	4	4	4	
SCL5-1	00311061	Hook Release Cylinder Assy ※Air Piping 2ea. Made of aluminum after 0905009	158-2・159-2・160-2・ 161-2・162~164	After Apr. 2000	4	4	4	4	
SCL6	75007300	Piston Rod Head Assy	107~111		2	2	2	2	
SCL7	75007280	Cylinder Seal Kit	113・115・117・118・120・121		2	2	2	2	
SCL8-2	N/A	Cylinder Assy ※Refer to 126	Replace by SCL8-3		2	2	2	2	N/A
SCL8-3	00310964	Cylinder Assy ※Refer to 126 Before Sept. 2009 Replace Before 1809011 Replace	107~122・126・129 together with 130・139-3 together with 130		2	2	2	2	
101	80845016	Snap Ring	RR026		4	4	4	4	
102	11785320	Cylinder Head Roller			4	4	4	4	
103	11785300	Hook Collar			4	4	4	4	
104	11785260	Cylinder Head Shaft			2	2	2	2	
105	90980555	Roll Pin	SRP0555		4	4	4	4	
106	00311000	Lowering Stop Hook			2	2	2	2	
107	90930308	Hex Nut	HN08 (3) SE		2	2	2	2	
108	90960830	Hex Socket Head Screw	HSS0830		2	2	2	2	
109	80827006	Grease Fitting	GNAMGX0.75		4	4	4	4	
110	81773025	Drymet LF Bushing	LFB-3025		4	4	4	4	
111	11785540	Piston Rod Head			2	2	2	2	
112	11785561	Cushion Rubber			2	2	2	2	
113	52701680	Dust Seal	SDR-40		2	2	2	2	
114	11785500	Cylinder Cover			2	2	2	2	
115	80800130	O Ring	G70		2	2	2	2	
116	11785520	Piston Rod			2	2	2	2	
117	11785570	Wearing 70			2	2	2	2	
118	80800523	O Ring	P24-1B		2	2	2	2	
119	11785480	Piston			2	2	2	2	
120	80806770	Back Up Ring	TC-GPY-70		2	2	2	2	
121	80802770	U Packing	GPY-70		2	2	2	2	
122	90931605	Fine U Nut	FU05SS		2	2	2	2	
123	80810340	Elbow	FAL-M5		2	2	2	2	
124	80817012	Half Union	CH-065MS		12→6				
125	80825285	Vinyl Fastener	CV-70		8	8	8	8	
126	N/A	Cylinder Pipe	Replace by Assy		2	2	2	2	N/A
127	11785440	Overflow Tube A	F1506-2150 White		1	1	1	1	
128	11785460	Overflow Tube B	F1506-1150 White		1	1	1	1	
129	81772830	Drymet LF Bushing	LFB-2830		4	4	4	4	
130	80813102	Male & Female Elbow	HS-BC-1/4		2	2	2	2	
131-1	90960835	Hex Socket Head Screw	HSS0835	Before Feb. 2003	2	2	2	2	
131-2	90960830	Hex Socket Head Screw	HSS0830	Mar. 2003~Feb. 2011	2	2	2	2	
131-3	90960630	Hex Socket Head Screw	HSS0630	Mar. 2011~1809011	4	4	4	4	
132	80813326	Swivel Elbow	LSW1003-04		2	2	2	2	
133-1	80825291	Vinyl Fastener	CV-150	Before Aug. 2001	4	4	4	4	
133-2	80825291	Vinyl Fastener	CV-150	After Sept. 2001	2	2	2	2	
134	80821059	Down Safety Valve with dumper	26995-72800		2	2	2	2	
135	11787360	Hyd. Hose B (SIB210-6-7400)	Qty was changed after Apr. 2000		1→2				
136	11787340	Hyd. Hose A (SIB210-6-7400)	Before Apr. 2000, and then abolished		1→0				
137	90920655	Hex Socket Head Cap Bolt	HSB0655		4	4	4	4	
138	90930506	Spring Washer	SW06SE		4	4	4	4	
139-1	11785240	Cylinder Fulcrum Shaft		Before Mar. 2000	2	2	2	2	
139-2	11785241	Cylinder Fulcrum Shaft		Apr. 2000~Nov. 2009	2	2	2	2	
139-3	11785242	Cylinder Fulcrum Shaft		After Dec. 2009	2	2	2	2	

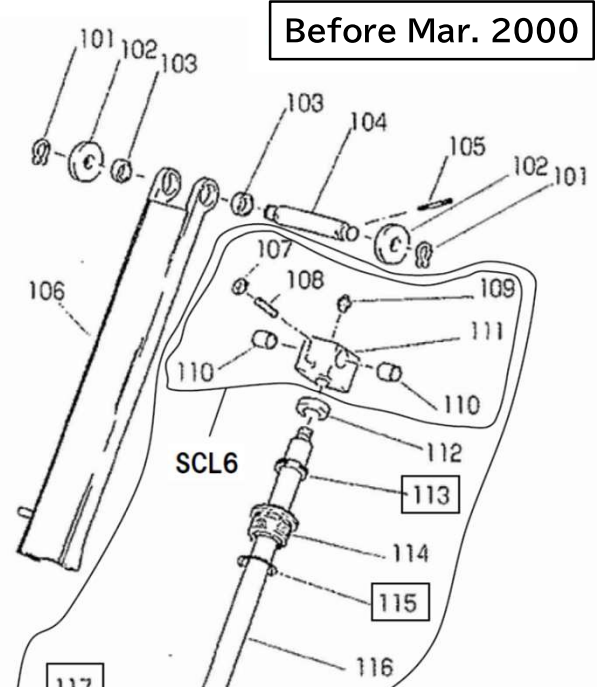


# Cylinder

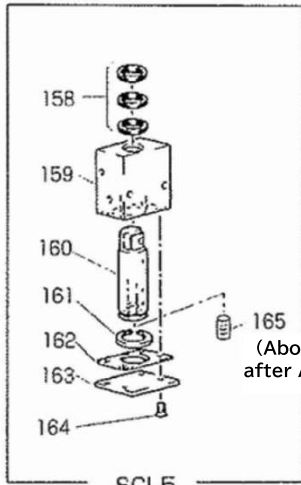
After Apr. 2000



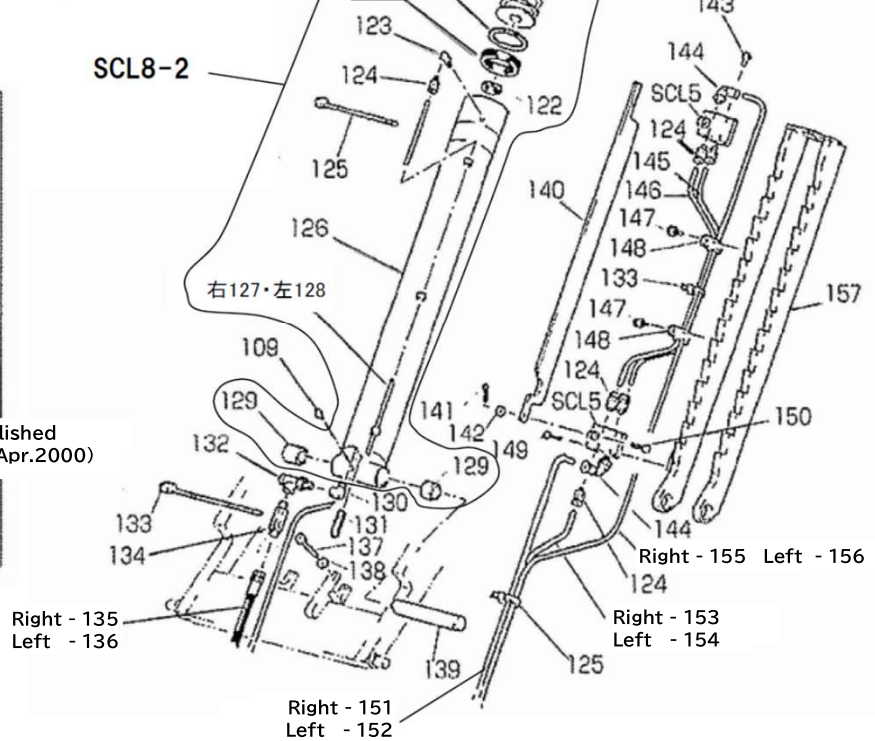
Before Mar. 2000



※ □ Marking Parts : SCL7



SCL8-2



Special Nut Removing Tool is required to disassemble Piston (FUT#05)  
Part No. 75106520 (Page 9)



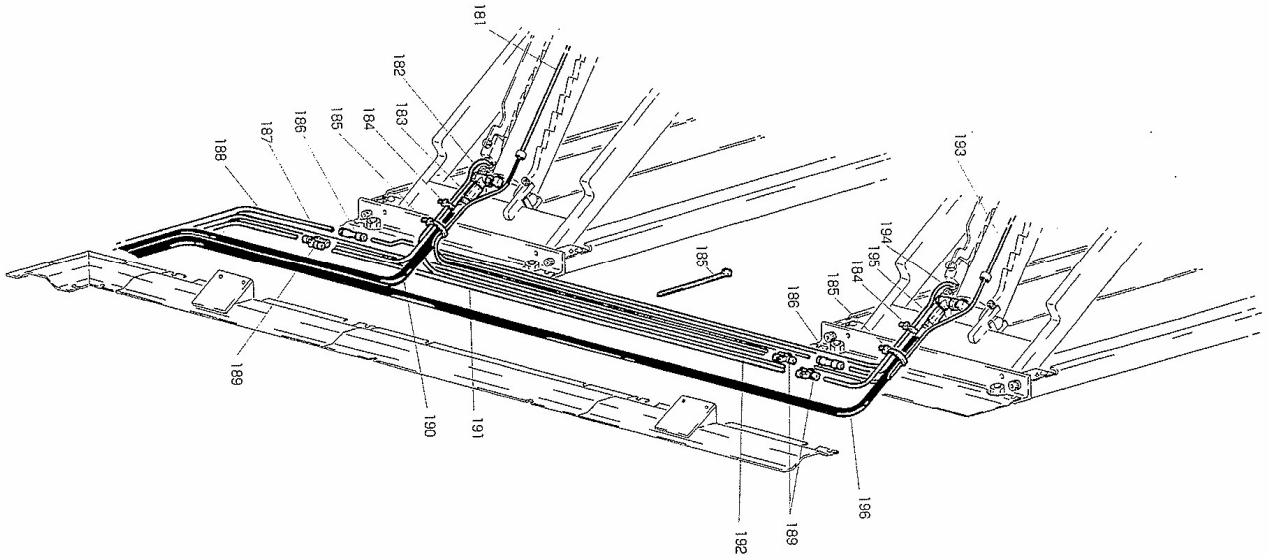
# Cylinder

# SCL3000 Series

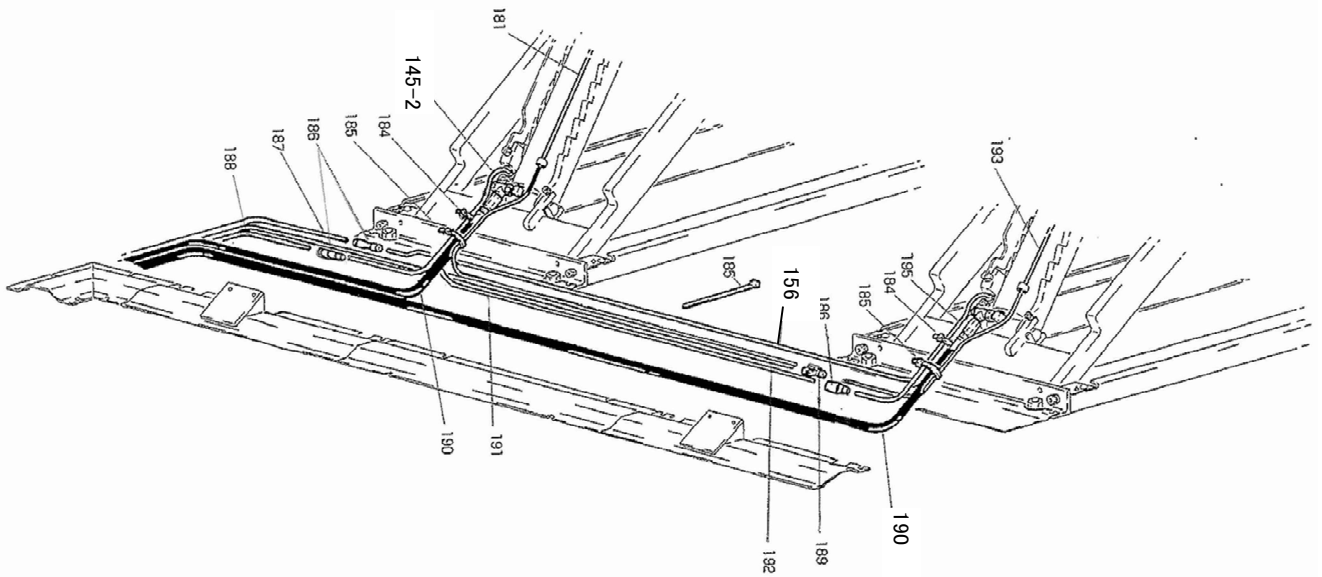
Ill. No.	Parts No.	Parts Name	Standard	Change Date & Note	Qty/Unit				Price/ea.
					3000	3000A	3000P	3000AP	
140	11785280	Hook Release Plate			2	2	2	2	
141	90972516	Cotter Pin	SP02.515SE		4	4	4	4	
142	90930705	Flat Washer	PW05SE		4	4	4	4	
143	90940508	Pan Head Screw	MSR0508SE		2	2	2	2	
144	80817027	Elbow Union	SLL-065MV		4	4	4	4	
145-1	11785340	Hook Release Air Tube A	F1506-565 Black	Before Mar. 2000	2	2	2	2	
145-2	11785341	Hook Release Air Tube A	F1506-420 Black	After Apr. 2000	1	1	1	1	
146	11785360	Hook Release Air Tube B	F1506-575 Black		2	2	2	2	
147	90780512	Pan Head Screw (MSRPS0512SE)	Qty was changed after	Sep. 2001	6→4				
148	80825557	Nylon Clamp	3327		6	6	6	6	
149	90760530	Hex Bolt	HSBS0530		8	8	8	8	
150	10236232	Solenoid Pin			8	8	8	8	
151	11787440	Air Tube D (F1506-1550 Black)	Abolished after Mar. 2000	Before Mar. 2000	4	4	4	4	
152	11787500	Air Tube G (F1506-610 Black)	Abolished after Mar. 2000	Before Mar. 2000	1	1	1	1	
153	11787460	Air Tube E (F1506-420 Black)	Abolished after Mar. 2000	Before Mar. 2000	1	1	1	1	
154	11785420	Hook Release Air Tube E	F1506-550 Blue		1	1	1	1	
155	11785380	Hook Release Air Tube C	F1506-2180 Blue		1	1	1	1	
156	11785400	Hook Release Air Tube D	F1506-2540 Red		1	1	1	1	
157	00311020	Lowering Stop Hook			2	2	2	2	
158-1	80802120	Mini Y Packing	MYA-20	Before Mar. 2000	12	12	12	12	
158-2	80802120	Mini Y Packing	MYA-20	After Apr. 2000	8	8	8	8	
159-1	11785800	Hook Release Air Cylinder	※Joint Port 4ea.	Before Mar. 2000	4	4	4	4	
159-2	N/A	Hook Release Air Cylinder	※Joint Port 2ea.	After Apr. 2000 Replace by SCL5-1	4	4	4	4	N/A
160-1	11785820	Hook Release Piston			4	4	4	4	
160-2	N/A	Hook Release Piston		After Apr. 2000 Replace by SCL5-1	4	4	4	4	N/A
161	80848421	Snap Ring (WR20)	Abolished after Apr. 2009	Before Apr. 2009	4	4	4	4	
162	11785860	Hook Release Cylinder Packing			4	4	4	4	
163	11785840	Hook Release Cylinder Base			4	4	4	4	
164	90950408	Pan Head Screw	MSF0408SE		4	4	4	4	
165	90962506	Hex Socket Head Screw (HSS0506)	Abolished after Mar. 2000	Before Mar. 2000	16	16	16	16	
Tool	75106520	U Nut Removing Tool	FUT#05	for Removing Piston	1	1	1	1	

# Hyd. Hose

Before Mar. 2000



After Apr. 2000



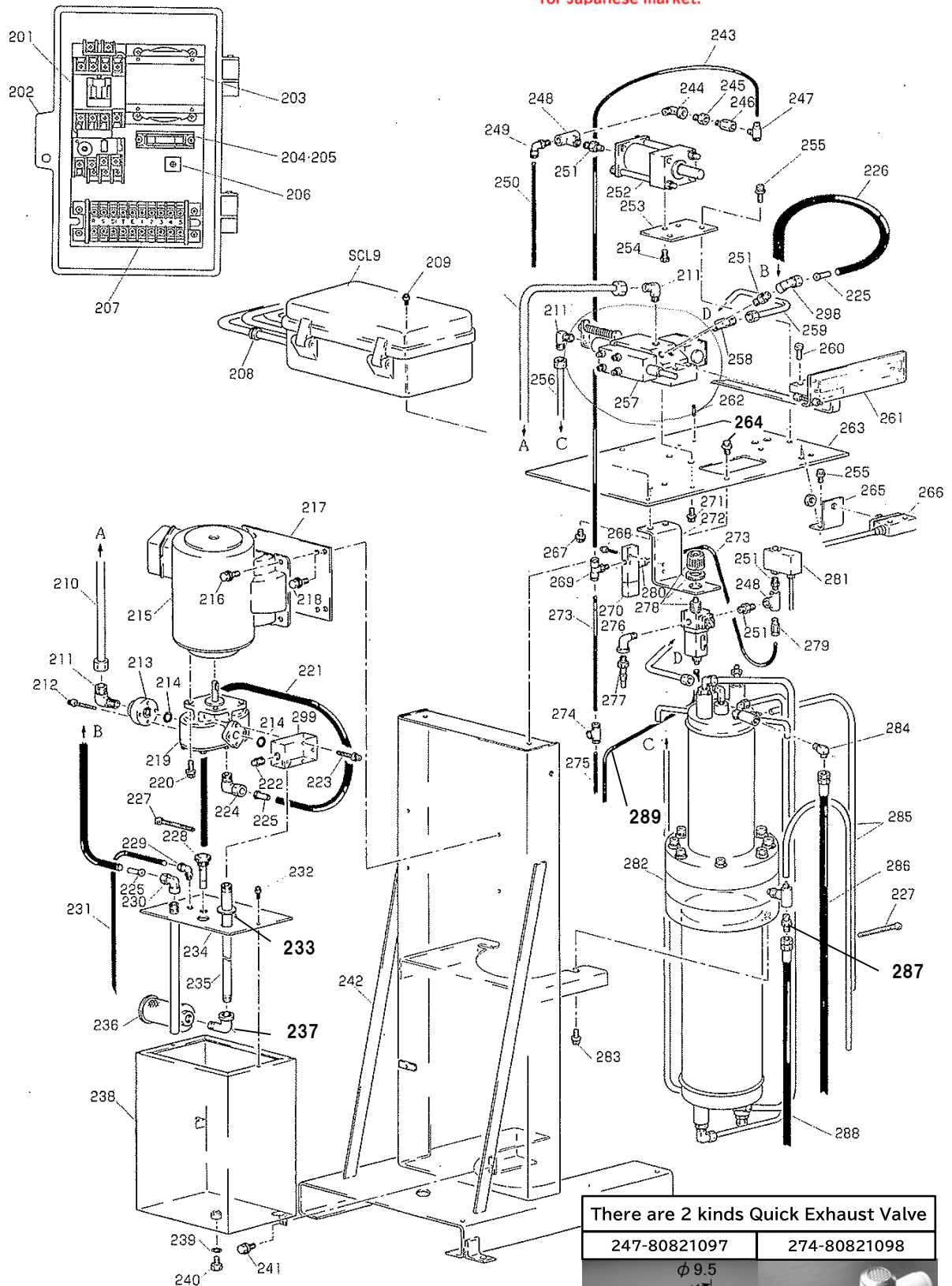
# Hyd. Hose

# SCL3000 Series

Ill. No.	Parts No.	Parts Name	Standard	Change Date & Note	Qty/Unit				Price/ea.
					3000	3000A	3000P	3000AP	
<b>145-2</b>	11785341	Hook Release Air Tube A	F1506-420 Black	After Apr. 2000	1	1	1	1	
<b>156</b>	11785400	Hook Release Air Tube D	F1506-2540 Red		1	1	1	1	
<b>181</b>	11785440	Overflow Tube A	F1506-2150 White		1	1	1	1	
<b>182</b>	11787440	Air Tube D (F1506-1550 Black)	Abolished after Mar. 2000	Before Mar. 2000	1	1	1	1	
<b>183</b>	11787460	Air Tube E (F1506-420 Black)	Abolished after Mar. 2000	Before Mar. 2000	1	1	1	1	
<b>184</b>	80825285	Vinyl Fastener	CV-70		4	4	4	4	
<b>185</b>	80825291	Vinyl Fastener	CV-150		10	10	10	10	
<b>186</b>	80817062	Straight Union (SLS-060V)	Qty was changed after Apr. 2000		2→3				
<b>187</b>	11786380	Air Tube C	F1506-6500 Red		1	1	1	1	
<b>188</b>	11786340	Air Tube A	F1506-8500 Black		1	1	1	1	
<b>189</b>	80817089	Y Union (SLY-0606V)	Qty was changed after Apr. 2000		3→1				
<b>190</b>	11787360	Hyd. Hose B (SIB210-6-7400)	Qty was changed after Apr. 2000		1→2				
<b>191</b>	11787480	Air Tube F (F1506-1280 Black)	Abolished after Mar. 2000	Before Mar. 2000	1	1	1	1	
<b>192</b>	11786400	Overflow Tube C	F1506-6500 White		1	1	1	1	
<b>193</b>	11785460	Overflow Tube B	F1506-1150 White		1	1	1	1	
<b>194</b>	11787500	Air Tube G (F1506-610 Black)	Abolished after Mar. 2000	Before Mar. 2000	1	1	1	1	
<b>195</b>	11785420	Hook Release Air Tube E	F1506-550 Blue		1	1	1	1	
<b>196</b>	11787340	Hyd. Hose A (SIB210-6-7400)	Abolished after Mar. 2000	changed to Hyd. Hose B	1→0				

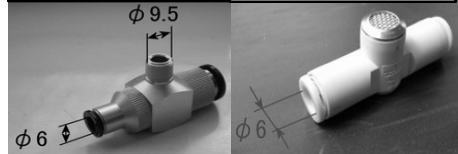
# Hyd. Unit (Before 0003007)

**Note :** Ask Bishamon for Export Model Info. of Hyd. Unit and Electric Components. Serial No. Info. would be Required. Some parts Info. shown in this Parts List could be only for Japanese market.



There are 2 kinds Quick Exhaust Valve

247-80821097	274-80821098
--------------	--------------



## Hyd. Unit (Before 0003007)

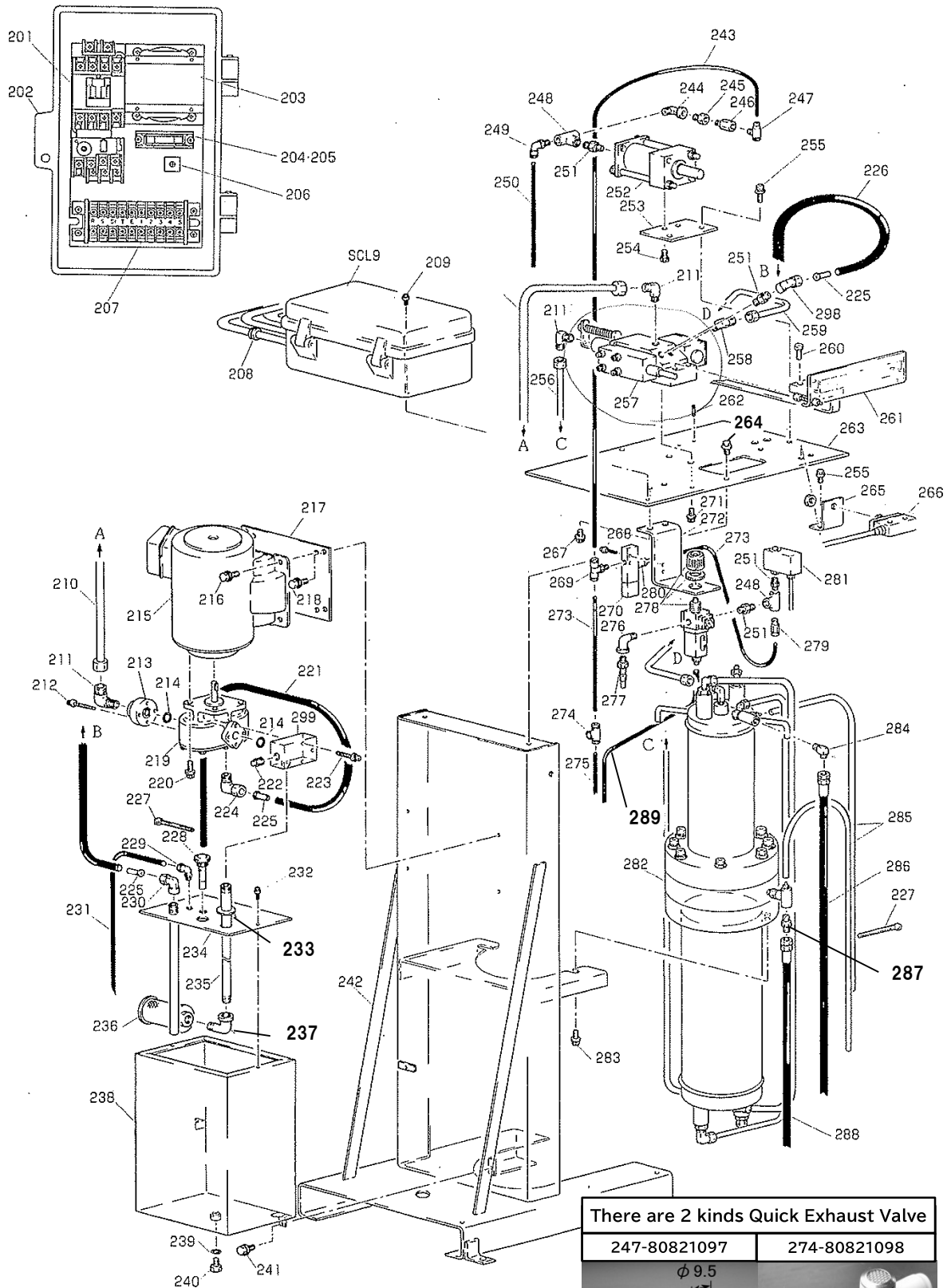
## SCL3000 Series

Note : Ask Bishamon for the info. of 380V/400V Electric Components. Below Info. Is for 200V Model.

Ill. No.	Parts No.	Parts Name	Standard	Change Date & Note	Qty/Unit				Price/ea.
					3000	3000A	3000P	3000AP	
<b>SCL9-1</b>	00311440	Wiring Set		Before 0003007	1	1	1	1	
<b>201</b>	80820622	Magnet Contactor & Thermal	SW-0(Fuji) AC24V		1	1	1	1	
<b>202</b>	51307610	Control Box			1	1	1	1	
<b>203</b>	20000707	Transformer	TP-30VA-B		1	1	1	1	
<b>204</b>	80820483	Fuse Holder	F-7111		1	1	1	1	
<b>205</b>	80820487	Fuse	1A		1	1	1	1	
<b>206</b>	80820596	Rectifier	S2VB20		1	1	1	1	
<b>207</b>	80821250	Terminal Block	TU-15		1	1	1	1	
<b>208</b>	80821843	Grommet	GB-19		3	3	3	3	
<b>209</b>	90750415	Pan Head Screw	MSRPO415SE		2	2	2	2	
<b>210</b>	75007340	Unit Hyd. Pipe C Assy		Before 0003007	1	1	1	1	
<b>211</b>	80813918	90° Elbow	HS-E1-12X1/4		3	3	3	3	
<b>212</b>	90760630	Hex Bolt with Washer	HSBS0630		4	4	4	4	
<b>213</b>	11473560	Pump Joint			1	1	1	1	
<b>214</b>	80800018	O Ring	P20		2	2	2	2	
<b>215</b>	80820010	Motor (3PH/200V) 1.5 KW	TWC4703AG	Before 0003007	1	1	1	1	
	80820145	Motor (3PH/400V) 2.2 KW	TO-K5		1	1	1	1	
<b>216</b>	90790610	Hex Bolt with Washer	HBPS0610		4	4	4	4	
<b>217</b>	11786240	Motor Fixing Plate		Before 0003007	1	1	1	1	
<b>218</b>	90770615	Hex Bolt with Washer	HBS0615SE		4	4	4	4	
<b>219</b>	80818207	Gear Pump	PA4LD728 Eaton	Before 0003007	1	1	1	1	
<b>220</b>	90890820	Hex Bolt with Washer	HBS0820SE		4	4	4	4	
<b>221</b>	11786440	Oil Return Tube B	F1512-600 Black	Before Mar. 2004	1	1	1	1	
<b>222</b>	80810003	Plug	P3/8		1	1	1	1	
<b>223</b>	90760640	Hex Bolt with Washer	HSBS0640		3	3	3	3	
<b>224</b>	80817336	Elbow Union	ML-2122		1	1	1	1	
<b>225</b>	80817669	Insert Ring	INS-A12-9		3	3	3	3	
<b>226</b>	11786421	Oil Return Tube A	F1512-1300 Black	Before 0003007	1	1	1	1	
<b>227</b>	80825291	Vinyl Fastener	CV-150		9	9	9	9	
<b>228</b>	00043644	Level Bar Assy			1	1	1	1	
<b>229</b>	80817028	Elbow Union	SLL-061V		1	1	1	1	
<b>230</b>	80811740	Female Elbow Union	MB5122		1	1	1	1	
<b>231</b>	11786400	Overflow Tube C	F1506-6500 White		1	1	1	1	
<b>232</b>	90740508	Hex Bolt with Washer	HBPO508SE		2	2	2	2	
<b>233</b>	11317490	Suction Pipe Cover			1	1	1	1	
<b>234</b>	00311420	Tank Cover		Before 0003007	1	1	1	1	
<b>235</b>	10172384	Suction Pipe			1	1	1	1	
<b>236</b>	80818951	Strainer	SS-40610-10		1	1	1	1	
<b>237</b>	80810704	Male and Female Elbow	STE1/2SE		1	1	1	1	
<b>238</b>	00099481	Oil Tank			1	1	1	1	
<b>239</b>	80800250	O Ring	P12		1	1	1	1	
<b>240</b>	90911220	Hex Bolt	HB1220SE		1	1	1	1	
<b>241</b>	90790615	Hex Bolt with Washer	HBPS0615SE		2	2	2	2	
<b>242</b>	00311340	Unit Base		Before 0003007	1	1	1	1	

# Hyd. Unit (Before 0003007)

**Note :**  
 Ask Bishamon for Export Model Info. of Hyd. Unit and Electric Components. Serial No. Info. would be Required.  
 Some parts Info. shown in this Parts List could be only for Japanese market.



There are 2 kinds Quick Exhaust Valve

247-80821097	274-80821098

## Hyd. Unit (Before 0003007)

## SCL3000 Series

Note : Ask Bishamon for the info. of 380V/400V Electric Components. Below Info. Is for 200V Model.

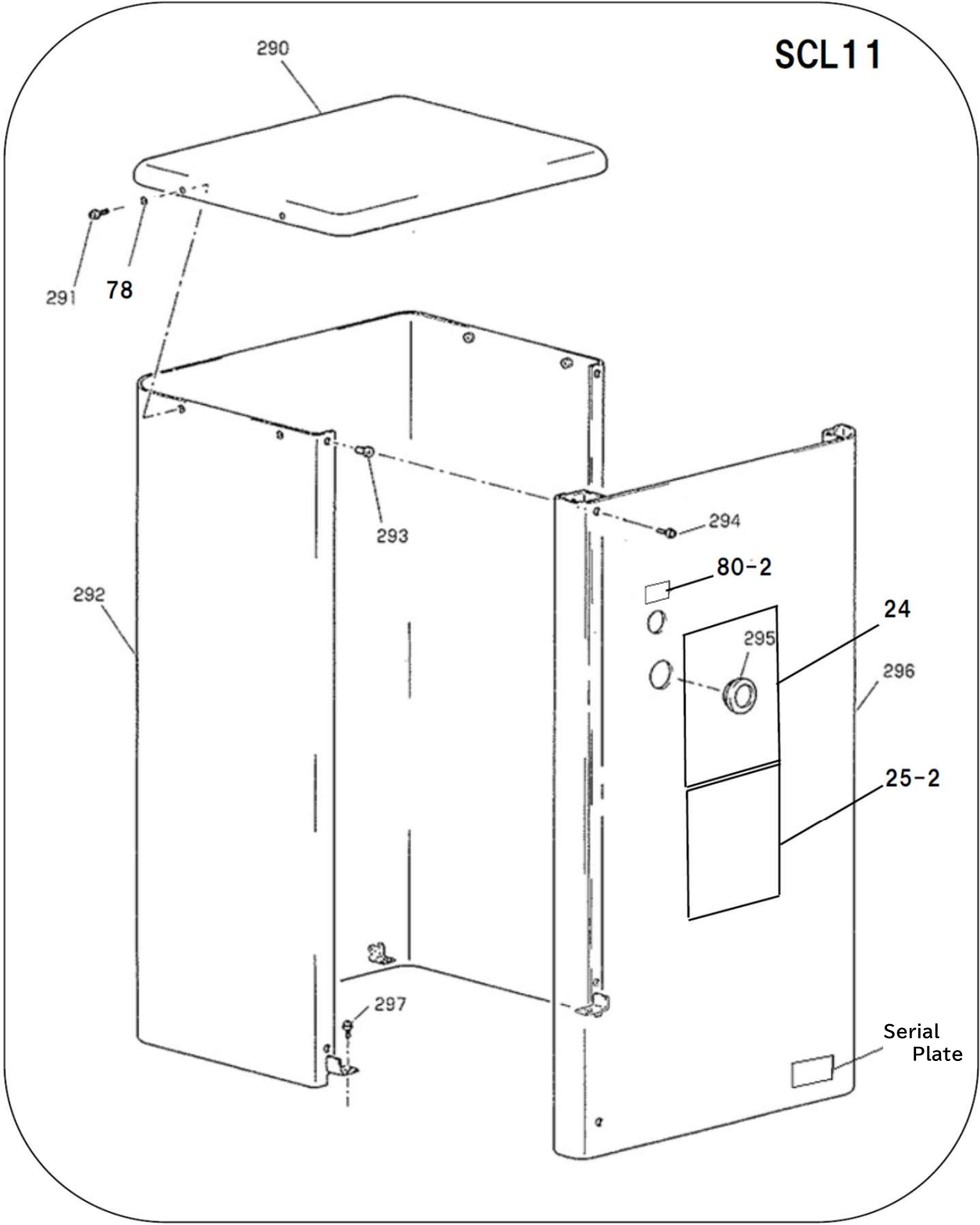
Ill. No.	Parts No.	Parts Name	Standard	Change Date & Note	Qty/Unit				Price/ea.
					3000	3000A	3000P	3000AP	
243	11786360	Air Tube B	F1506-705 Black	Before Mar. 2004	1	1	1	1	
244	80810702	Male and Female Elbow	STE1/4SE		1	1	1	1	
245	80814412	Bushing	HS-M-1/4X1/8		1	1	1	1	
246	80818575	Check Valve	CVR01A		1	1	1	1	
247	80821097	Quick Exhaust Valve (※)	EQ02-C06P01C10		1	1	1	1	
248	80811812	Tee (T1/4)	Qty was changed after Jan.1999		2→1				
249	80817226	Elbow Union	ZL-062		1	1	1	1	
250	11786380	Air Tube C	F1506-6500 Red		1	1	1	1	
251	80811102	Nipple (NP1/4SE)	Qty was changed after Jan.1999		4→2				
252	00311180	Lowering Cylinder Assy		Before Mar. 2004	1	1	1	1	
253	11500780	Cable Bracket Guide		Before 0003007	1	1	1	1	
254	90920815	Hex Socket Head Cap Bolt	HSB0815	Before 0003007	2	2	2	2	
255	90760612	Hex Bolt	HSBS0612	Before 0003007	4	4	4	4	
256	75007460	Unit Hyd. Pipe A Assy		Before 0003007	1	1	1	1	
257	75001550	Sub Plate & Valve Assy			1	1	1	1	
258	80813910	90° Elbow	HS-E1-10X1/4		1	1	1	1	
259	75007320	Unit Hyd. Pipe B Assy		Before 0003007	1	1	1	1	
260	90920620	Hex Socket Head Cap Bolt	HSB0620		2	2	2	2	
261	00124360	Valve Lever Assy		Before Mar. 2004	1	1	1	1	
262	90810520	Roll Pin	SRP0520 Stainless		2	2	2	2	
263	11786480	Sub Plate Base		Before 0003007	1	1	1	1	
264	90740820	Hex Bolt	HBP0820SE		2	2	2	2	
265	11786500	LS Fixing Plate	Abolished after 0003007	Before 0003007	1	1	1	1	
266	80820732	Limit Switch	Z-15GQA55-B5V		1	1	1	1	
267	90890612	Hex Bolt	HBS0612SE		2	2	2	2	
268	90750320	Pan Head Screw	MSRP0320SE		2	2	2	2	
269	80817074	C Union	SLC-065MV		1	1	1	1	
270-1	80821105	Selex Valve	3KA110-M5	Before Dec. 1998	1	1	1	1	
270-2	80821180	Selex Valve	3GA110-M5-DC24	Before 0003007	2	2	2	2	
271	90760820	Hex Bolt	HSBS0820		1	1	1	1	
272	11362400	Air Filter Fixing Plate		Before 0003007	2	2	2	2	
273	51307480	Air Filter Hose	F1506-300 Black		1	1	1	1	
274	80821098	Quick Exhaust Valve (※)	AQ304F-06-00		1	1	1	1	
275	11786340	Air Tube A	F1506-8500 Black		1	1	1	1	
276	80810702	Male and Female Elbow	STE1/4SE		1	1	1	1	
277	80827504	Air Chucking Male	PT1/4		1	1	1	1	
278	80821101	Air Filter Regulator	W1000-8	Before 0003007	1	1	1	1	
279-1	80817006	Half Union	SLH-062V	Before Jan. 1999	1	1	1	1	
279-2	80817026	Elbow Union	SLL-062V	After Feb. 1999	1	1	1	1	
280	80817012	Half Union	CH-065MS		1	1	1	1	
281	N/A	Pressure Switch (PS1) Note : Replacing is not necessary	Abolished after Jan.1999	Before Jan. 1999	1	1	1	1	N/A
282	N/A	Synchro Cylinder Assy	Replace by Hyd. Unit Assy	Before 0003007	1	1	1	1	N/A
283	90761020	Hex Bolt	HSBS1020		2	2	2	2	
284	80812970	Adaptor	N014 (G1/4XR1/4)		1	1	1	1	
285	11786460	Air Bleeding Tube	5X8-1000		2	2	2	2	
286	11787360	Hyd. Hose B (SIB210-6-7400)	Qty was changed after Apr.2000		1→2				
287	80812950	Adaptor	N010 (G1/4XR1/4)		1	1	1	1	
288	11787340	Hyd. Hose A (SIB210-6-7400)	Abolished after Mar.2000	Before Mar. 2000	1→0				
289	11786300	Drain Tube (F1506-900 White)	Abolished after Mar.2000	Before Mar. 2000	1	1	1	1	
298	80811740	Female Elbow Union	MB-5112		1	1	1	1	
299	11317500	Suction Joint			1	1	1	1	

Note : Paint Color of Hyd. Unit

Sugiyasu Blue - Before Mar. 2000  
 White - Apr. 2000~Dec. 2009  
 Black - After Jan. 2010



# Hyd. Unit Case

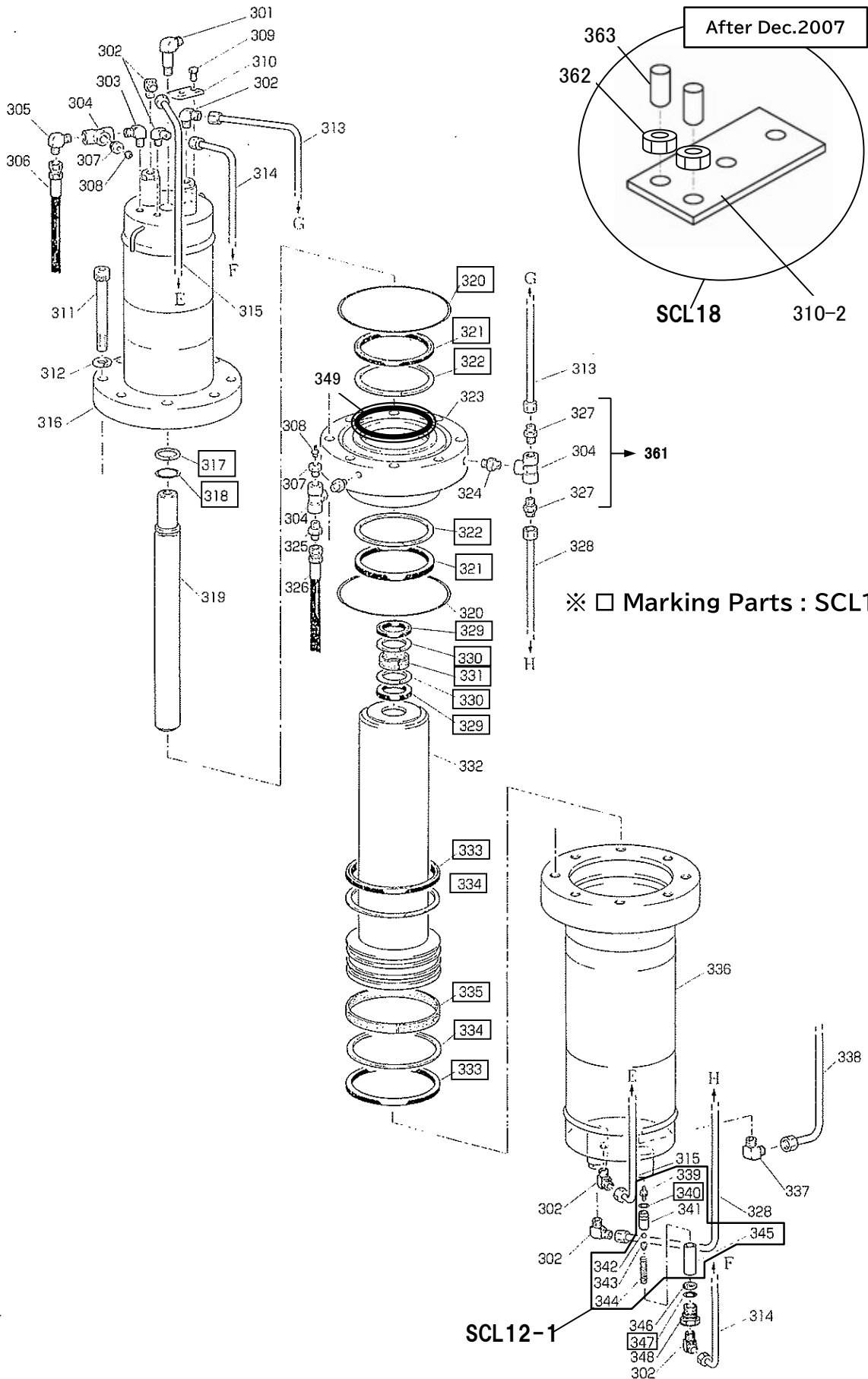


# Hyd. Unit Case

# SCL3000 Series

Ill. No.	Parts No.	Parts Name	Standard	Change Date & Note	Qty/Unit				Price/ea.
					3000	3000A	3000P	3000AP	
<b>SCL11</b>	75007480	Unit Case Assy	24 · 25-2 · 80-2 · 290 · 291-2 · 292-2 · 294-2 · 296 · 297 · 785	Serial No. Info. is required	1	1	1	1	
<b>24</b>	20001144	Caution Label H (English)			1	1	1	1	
<b>25-1</b>	N/A	Caution Label A	Replace by 25-2	Before Mar. 2004	1	1	1	1	N/A
<b>25-2</b>	20001141	Caution Label A (English)		After 0404001	1	1	1	1	
<b>80-2</b>	20001143	Caution Label E (English)			1	1	1	1	
<b>290</b>	11787180	Unit Case Cover			1	1	1	1	
<b>291-1</b>	90780612	Pan Head Screw	MSRPS0612SE	Before Mar. 2004	4	4	4	4	
<b>291-2</b>	90862930	Screw	SRHFST0508SE	After 0404001	4	4	4	4	
<b>292-1</b>	00311381	Unit Case A		Before Mar. 2004	1	1	1	1	
<b>292-2</b>	00311382	Unit Case A		After 0404001	1	1	1	1	
<b>293</b>	90928210	Well Nut (10-S)	Abolished after Sep. 2001	Before Sept. 2001	4	4	4	4	
<b>294-1</b>	90800520	Pan Head Screw	MSRS0520SE	Before 0109011	4	4	4	4	
<b>294-2</b>	90800615	Pan Head Screw	MSRS0615SE	After 0109012	4	4	4	4	
<b>295</b>	80821845	Gromet (C-30-SG-50A)	Abolished after Sep. 2001	Before Sept. 2001	1	1	1	1	
<b>296</b>	00311400	Unit Case B			1	1	1	1	
<b>297</b>	90750615	Pan Head Screw	MSRPS0615SE		2	2	2	2	
<b>785</b>	90930705	Flat Washer	PW05SE	After 0404001	4	4	4	4	

# Synchro Cylinder (Before 0003007)

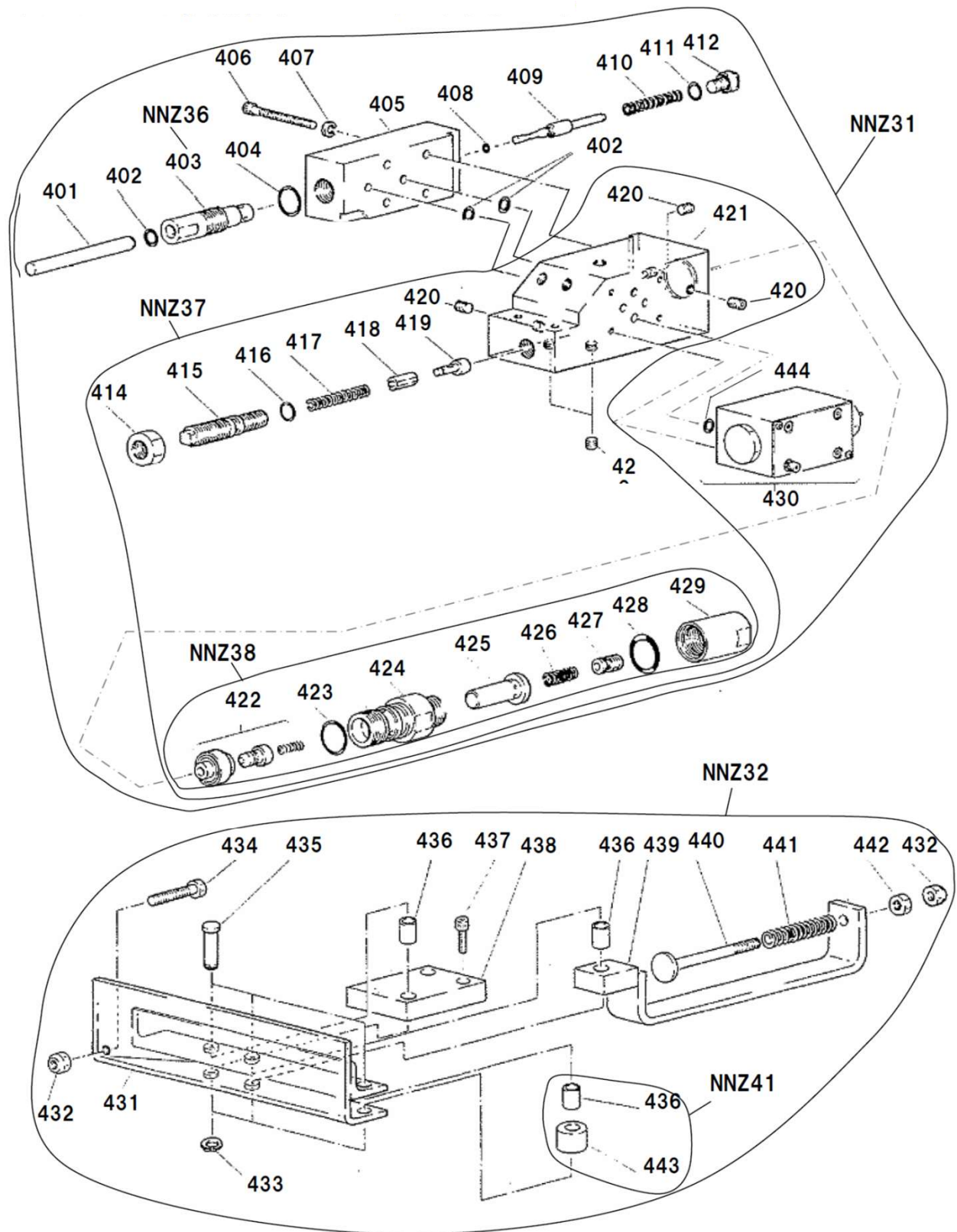


# Synchro Cylinder (Before 0003007)

# SCL3000 Series

Ill. No.	Parts No.	Parts Name	Standard	Change Date & Note	Qty/Unit				Price/ea.
					3000	3000A	3000P	3000AP	
<b>SCL10</b>	75007360	Synchro Cylinder Seal Kit	317 · 318 · 320~322 · 329~331 · 333~335 · 340 · 347	Before 0003007	1	1	1	1	
<b>SCL12-1</b>	75007350	Synchro Check Valve Set	339~345	Replace by set	4	4	4	4	
<b>SCL18</b>	75007520	Pipe Rod Stopper Assy	310-2 · 362 · 363		1	1	1	1	
<b>301</b>	80813810	Long Male Elbow	HS-EB-10X1/4		1	1	1	1	
<b>302</b>	80813910	90° Elbow	HS-E1-10X1/4		6	6	6	6	
<b>303</b>	80813920	90° Male Elbow	HS-SJ-1/4X1/4		1	1	1	1	
<b>304</b>	80815202	Tee	HS-TC-1/4		3	3	3	3	
<b>305</b>	80812970	Adaptor	N014 (PF1/4XPT1/4)		1	1	1	1	
<b>306</b>	11787360	Hyd. Hose B	SIB210-6-7400		1	1	1	1	
<b>307</b>	11116020	Air Bleeder Plug			2	2	2	2	
<b>308-1</b>	80818680	Air Bleeder Valve	41128-U0201	Before 9902014	2	2	2	2	
<b>308-2</b>	11116030	Air Bleeder Valve		After 9912015	2	2	2	2	
<b>309</b>	90890815	Hex Bolt	HBS0815SE		2	2	2	2	
<b>310-1</b>	N/A	Link Center Shaft Stopper	Replace by SCL18	Before Nov. 2007	1	1	1	1	N/A
<b>310-2</b>	N/A	Pipe Rod Stopper	Replace by SCL18	After Dec. 2007	1	1	1	1	N/A
<b>311</b>	90921691	Hex Socket Head Cap Bolt	HSB16120		8	8	8	8	
<b>312</b>	90930516	Spring Washer	SW16SE		8	8	8	8	
<b>313-1</b>	75007420	Hyd. Pipe F Assy		Before 9902014	1	1	1	1	
<b>313-2</b>	75007421	Hyd. Pipe F Assy		After 9902015	1	1	1	1	
<b>314</b>	75007380	Hyd. Pipe D Assy			1	1	1	1	
<b>315</b>	75007400	Hyd. Pipe E Assy			1	1	1	1	
<b>316</b>	00311260	S Cylinder Pipe A			1	1	1	1	
<b>317</b>	80806034	Back Up Ring	P34-B		1	1	1	1	
<b>318</b>	80800533	O Ring	P34-1B		1	1	1	1	
<b>319</b>	00311320	Pipe Rod			1	1	1	1	
<b>320</b>	80800163	O Ring	G170-1B		2	2	2	2	
<b>321</b>	80802211	U Packing	RNY-110		2	2	2	2	
<b>322</b>	80806412	Back Up Ring	TCS-125X110		2	2	2	2	
<b>323</b>	11786580	Head Cylinder (require Ser. No. info)	Groove is added for No. 349 after June 1998		1	1	1	1	
<b>324</b>	80814501	Nipple	HS-NA-1/4		2	2	2	2	
<b>325</b>	80812950	Adaptor	N010 (PF1/4XPT1/4)		1	1	1	1	
<b>326</b>	11787340	Hyd. Hose A	SIB210-6-7400		1	1	1	1	
<b>327</b>	80814910	Connector	HS-S-10X1/4		2	2	2	2	
<b>328-1</b>	75007440	Hyd. Pipe G Assy		Before 9902014	1	1	1	1	
<b>328-2</b>	75007441	Hyd. Pipe G Assy		After 9902015	1	1	1	1	
<b>329</b>	80802240	U Packing	RNY-40		2	2	2	2	
<b>330</b>	80806450	Back Up Ring	TCS-50X40		2	2	2	2	
<b>331-1</b>	80804545	Wearing	WR45	Before Oct. 1998	1	1	1	1	
<b>331-2</b>	11787680	Wearing 45		After Nov. 1998	1	1	1	1	
<b>332</b>	00311300	Ram			1	1	1	1	
<b>333</b>	80801915	U Packing	RGY-150		2	2	2	2	
<b>334</b>	80806415	Back Up Ring	TCS-150X136		2	2	2	2	
<b>335</b>	80804053	Wearing	SWA-150		1	1	1	1	
<b>336</b>	00311220	M Cylinder			1	1	1	1	
<b>337</b>	80813912	90° Elbow	HS-E1-12X3/8		1	1	1	1	
<b>338</b>	75007460	Unit Hyd. Pipe A Assy			1	1	1	1	
<b>339</b>	※	Steel Ball Holding Bar		Replace by SCL12-1	4	4	4	4	SCL12-1
<b>340</b>	※	O Ring	P12-1B	Replace by SCL12-1	4	4	4	4	SCL12-1
<b>341</b>	※	Check Valve		Replace by SCL12-1	4	4	4	4	SCL12-1
<b>342</b>	※	Steel Ball	9/32A	Replace by SCL12-1	4	4	4	4	SCL12-1
<b>343</b>	※	Steel Ball Holder		Replace by SCL12-1	4	4	4	4	SCL12-1
<b>344</b>	※	Steel Ball Holding Spring		Replace by SCL12-1	4	4	4	4	SCL12-1
<b>345</b>	※	Check Valve Collar		Replace by SCL12-1	4	4	4	4	SCL12-1
<b>346</b>	11331370	Filter			4	4	4	4	
<b>347</b>	80800517	O Ring	P18-1B		4	4	4	4	
<b>348</b>	11786600	Plug			4	4	4	4	
<b>349</b>	11787660	Wearing A		After June 1998	1	1	1	1	
<b>361</b>	80810955	Tee M Nipple	KTN10-020N	After 9902015	1	1	1	1	
<b>362</b>	90930306	Hex Nut	HN06(3)SE	After Dec. 2007	2	2	2	2	
<b>363</b>	90960615	Hex Socket Head Screw	HSS0615	After Dec. 2007	2	2	2	2	

# Sub Plate (Before March 2004)

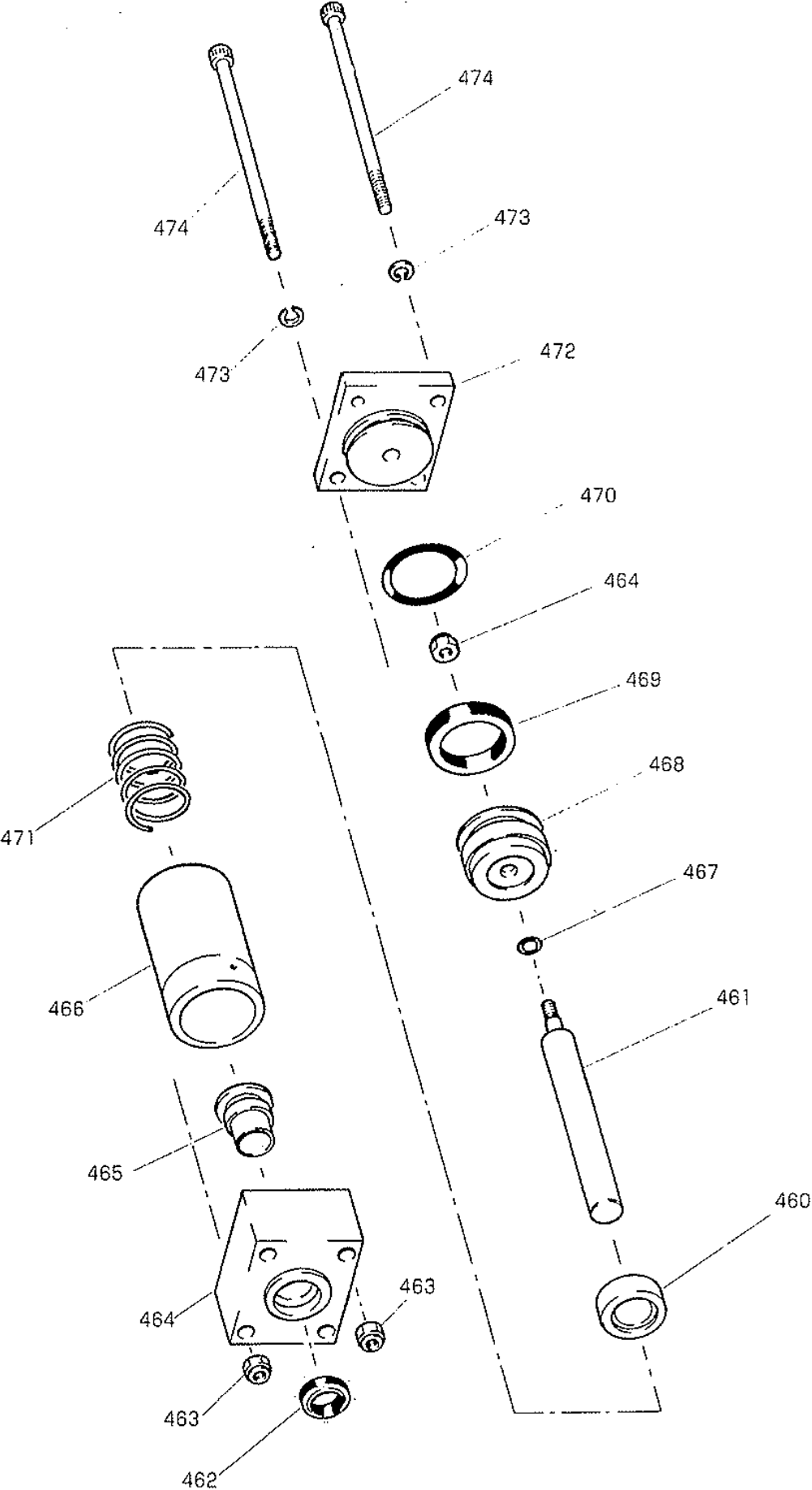


## Sub Plate (Before March 2004)

## SCL3000 Series

Ill. No.	Parts No.	Parts Name	Standard	Change Date & Note	Qty/Unit				Price/ea.
					3000	3000A	3000P	3000AP	
NNZ31	75001550	Sub Plate & Valve Assy	401~430		1	1	1	1	
NNZ32	00124360	Valve Lever Assy	431~436 · 438~443		1	1	1	1	
NNZ36	00124380	Valve Assy (Lowering Valve)	401~405 · 408~412		1	1	1	1	
NNZ37	75001560	Sub Plate A Assy	414~429		1	1	1	1	
NNZ38	75001690	Flow Control Valve A Assy	423~429		1	1	1	1	
NNZ41	75001530	Lever Roller Assy	436 · 443		1	1	1	1	
401	11501080	Valve Rod			1	1	1	1	
402	80800008	O Ring	P10		3	3	3	3	
403	10162521	Valve Housing			1	1	1	1	
404	80800017	O Ring	P18		1	1	1	1	
405	N/A	Valve Body	Replace by NNZ36		1	1	1	1	N/A
406	90920645	Hex Socket Head Cap Bolt	HSB0645		3	3	3	3	
407	90930506	Spring Washer	SW06SE		4	4	4	4	
408	80800220	O Ring	AN6227-1		1	1	1	1	
409	10162511	Valve Plunger			1	1	1	1	
410	50581761	Valve Spring			1	1	1	1	
411	80800411	O Ring	JAS0-1011		1	1	1	1	
412	10162543	Valve Socket			1	1	1	1	
414	90930316	Hex Nut	HN16(3) SE		1	1	1	1	
415	11500790	Relief Screw			1	1	1	1	
416	80800012	O Ring	P12		1	1	1	1	
417	50562451	Relief Spring			1	1	1	1	
418	11500800	Relief Spool Housing			1	1	1	1	
419	11500770	Relief Spool			1	1	1	1	
420	80850001	Hex Socket Head Cap Plug	HSP1/8		5	5	5	5	
421	11500701	Sub Plate			1	1	1	1	
422	80818531	Check Valve	V1095-001		1	1	1	1	
423	80800023	O Ring	P24		1	1	1	1	
424	※	Flow Control Housing	Replace by NNZ38		1	1	1	1	N/A
425	※	Flow Control Guide	Replace by NNZ38		1	1	1	1	N/A
426	※	Flow Control Spring	Replace by NNZ38		1	1	1	1	N/A
427	※	Flow Control Spool	Replace by NNZ38		1	1	1	1	N/A
428	※	O Ring (G25)	Replace by NNZ38		1	1	1	1	N/A
429	※	Flow Control Housing A	Replace by NNZ38		1	1	1	1	N/A
430	80818666	Switch Valve	ZDG01A3X5080C		1	1	1	1	
431	00124500	Valve Lever			1	1	1	1	
432	90932708	Hex U Nut	HUN08SE		2	2	2	2	
433	80845001	Snap Ring	RR010		3	3	3	3	
434	90910835	Hex Bolt	HB0835SE		1	1	1	1	
435	11500840	Valve Lever Pin			3	3	3	3	
436	81771015	Drymet LF Bushing	LFB-1015		3	3	3	3	
437	90920620	Hex Socket Head Cap Bolt	HSB0620		2	2	2	2	
438	11500820	Sub Plate Ear			1	1	1	1	
439	00124520	Valve Holder			1	1	1	1	
440	10162722	Switch Pin			1	1	1	1	
441	50627320	Valve Switching Spring			1	1	1	1	
442	90930108	Hex Nut	HN08SE		1	1	1	1	
443	11500860	Lever Roller			1	1	1	1	
444	80800507	O Ring	P9-1B		4	4	4	4	

# Hook Release Cylinder (Before March 2004)



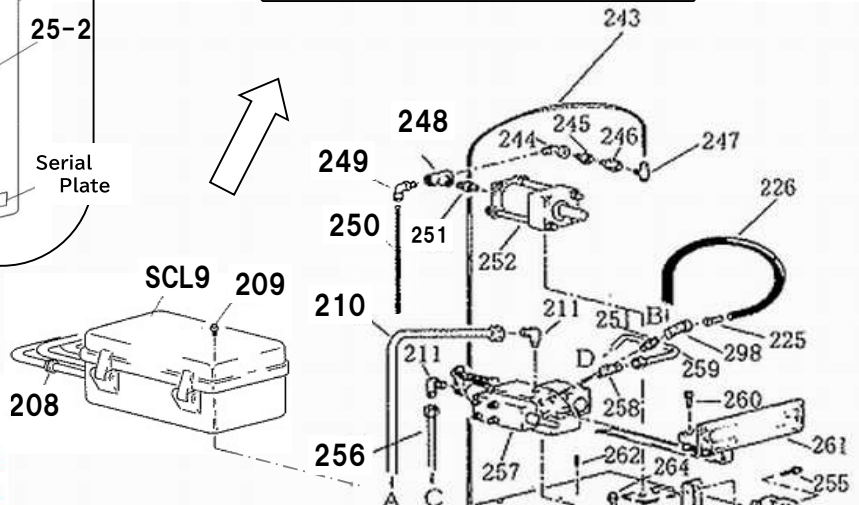
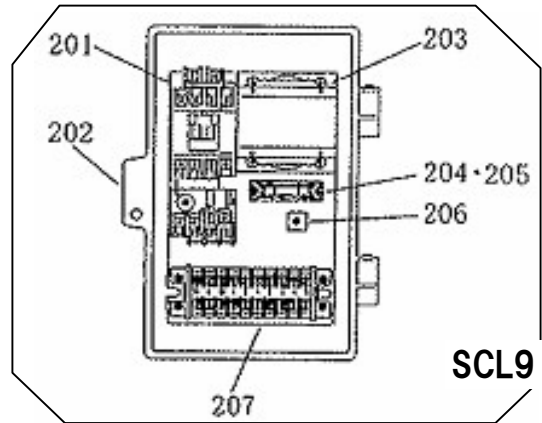
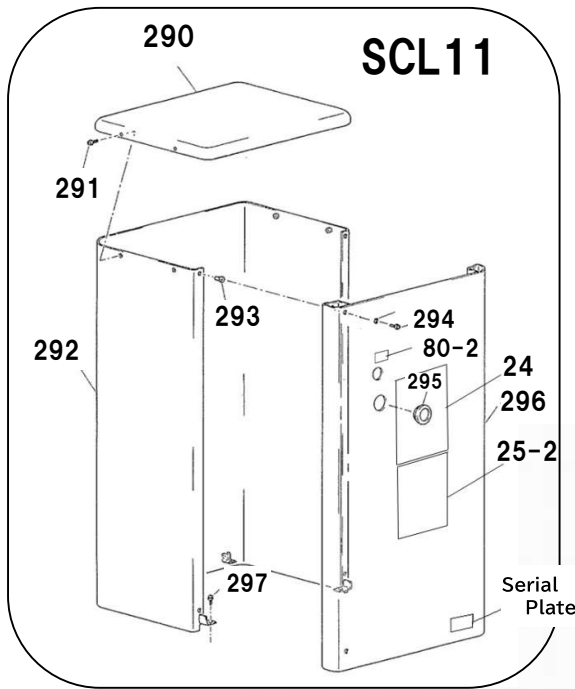
## Hook Release Cylinder (Before March 2004)

## SCL3000 Series

Ill. No.	Parts No.	Parts Name	Standard	Change Date & Note	Qty/Unit				Price/ea.
					3000	3000A	3000P	3000AP	
460	11786520	Collar			1	1	1	1	
461	11786560	Lowering Piston Rod			1	1	1	1	
462	52003633	Dust Seal	RSD18		1	1	1	1	
463	90932708	Hex U Nut	HUN08SE		3	3	3	3	
464	11361920	Hook Release Cylinder Cover B			1	1	1	1	
465	80805018	Sleeve	WRB-18		1	1	1	1	
466	11361940	Cylinder			1	1	1	1	
467	80800008	O Ring	P10		1	1	1	1	
468	11786540	Lowering Cylinder Piston			1	1	1	1	
469	80802540	U Packing	GLY-40		1	1	1	1	
470	80800044	O Ring	P44		1	1	1	1	
471	50626031	Valve Spring	Abolished after Mar. 2000	Before Mar. 2000	1	1	1	1	
472	11361900	Hook Release Cylinder Cover A			1	1	1	1	
473	90930508	Spring Washer	SW08SE		2	2	2	2	
474	90928120	Hex Socket Head Cap Bolt	HSB08120		2	2	2	2	



# Hyd. Unit (0003008~ March 2004)



**Note :**

Ask Bishamon for Export Model Info. of Hyd. Unit and Electric Components. Serial No. Info. would be Required. Some parts Info. shown in this Parts List could be only for Japanese market.

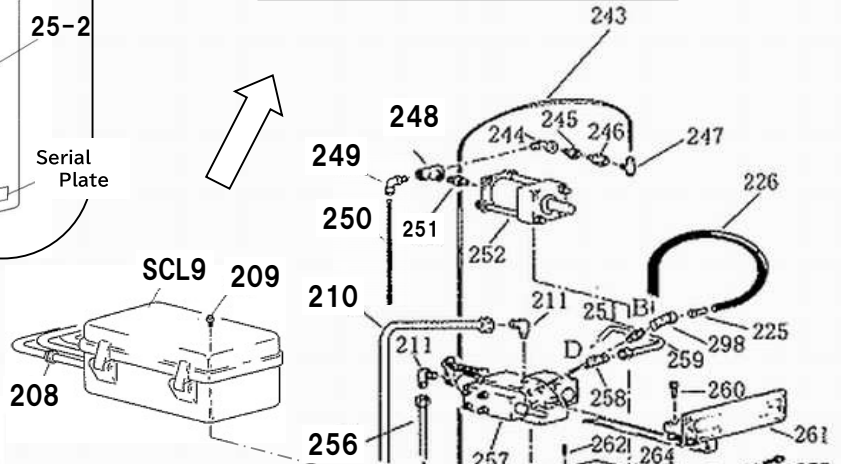
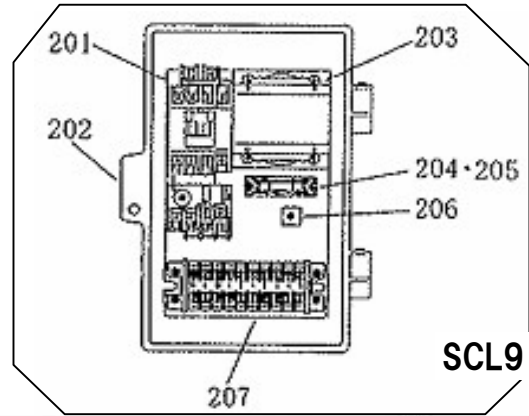
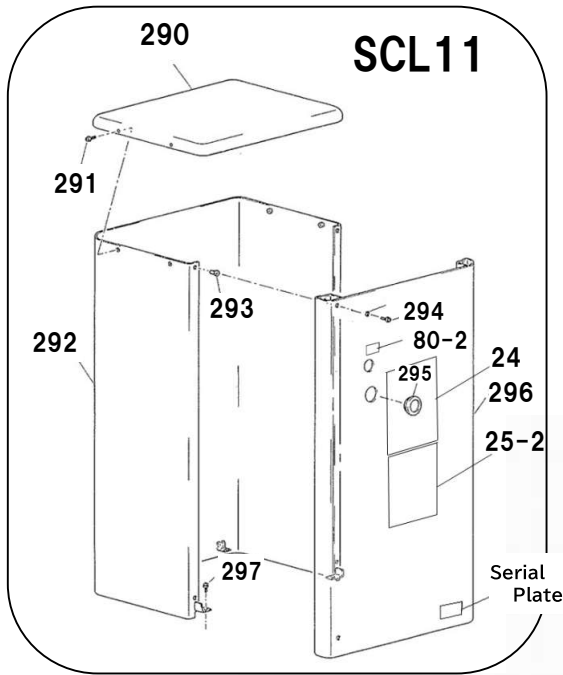
# Hyd. Unit (0003008~ March 2004)

# SCL3000 Series

Note : Ask Bishamon for the info. of 380V/400V Electric Components. Below Info. Is for 200V Model.

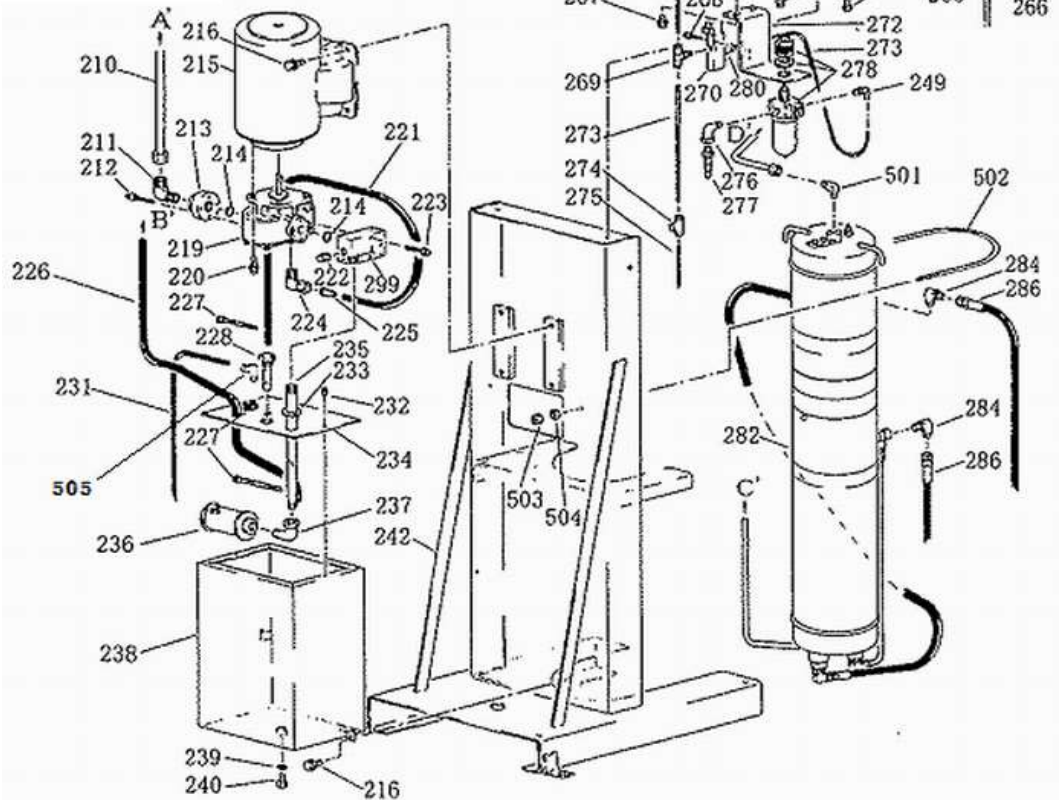
Ill. No.	Parts No.	Parts Name	Standard	Change Date & Note	Qty/Unit				Price/ea.
					3000	3000A	3000P	3000AP	
<b>SCL9-2</b>	00311441	Wiring Set			1	1	1	1	
<b>SCL11</b>	75007480	Unit Case Assy	24・25-2・80-2・290・291-2・292-2・294-2・296・297・785	Serial No. Info. Is required (Refer to P17)	1	1	1	1	
<b>24</b>	20001144	Caution Label H (English)			1	1	1	1	
<b>25-1</b>	N/A	Caution Label A	Replace by 25-2	Before Mar. 2004	1	1	1	1	N/A
<b>25-2</b>	20001141	Caution Label A (English)		After 0404001	1	1	1	1	
<b>80-2</b>	20001143	Caution Label E (English)			1	1	1	1	
<b>201</b>	80820622	Magnet Contactor & Thermal	SW-0(Fuji) AC24V		1	1	1	1	
<b>202</b>	51307610	Control Box			1	1	1	1	
<b>203</b>	80820834	Transformer	P:200V S:18V 24V 30VA		1	1	1	1	
<b>※</b>	N/A	Transformer Assy	with cable and rectifier		1	1	1	1	N/A
<b>204-1</b>	80820483	Fuse Holder	F-7111	Before Mar. 2004	1	1	1	1	
<b>205</b>	80820487	Fuse	1A		1	1	1	1	
<b>206</b>	80820596	Rectifier	S2VB20		1	1	1	1	
<b>207-1</b>	80821280	Terminal Block	TU-1510P	Before Mar. 2004	1	1	1	1	
<b>208</b>	80821843	Grommet	GB-19		3	3	3	3	
<b>209</b>	90750421	Pan Head Screw	MSRP0420SE		2	2	2	2	
<b>210-1</b>	75007341	Unit Hyd. Pipe C Assy		Before Mar. 2004	1	1	1	1	
<b>211-1</b>	80813918	90° Elbow (HS-E1-12X1/4)	Qty was changed after Mar. 2004		3→2				
<b>212</b>	90760630	Hex Bolt with Washer (HSBS0630)	Aboished after Mar. 2004	Before Mar. 2004	4	4	4	4	
<b>213</b>	11473560	Pump Joint	Aboished after Mar. 2004	Before Mar. 2004	1	1	1	1	
<b>214</b>	80800018	O Ring	P20		2	2	2	2	
<b>215</b>	80820010	Motor (3PH/200V) 1.5 KW	TWC4703AG		1	1	1	1	
	80820145	Motor (3PH/400V) 2.2 KW	TO-K5		1	1	1	1	
<b>216</b>	90790610	Hex Bolt with Washer	HBPS0610		6	6	6	6	
<b>219-1</b>	80818207	Gear Pump	PA4LD728 Eaton	Before Mar. 2004	1	1	1	1	
<b>220</b>	90890820	Hex Bolt with Washer	HBS0820SE		4	4	4	4	
<b>221</b>	11786440	Oil Return Tube B(F1512-600 Black)	Aboished after Mar. 2004	Before Mar. 2004	1	1	1	1	
<b>222</b>	80810003	Plug (P3/8)	Aboished after Mar. 2004	Before Mar. 2004	1	1	1	1	
<b>223</b>	90760640	Hex Bolt with Washer	HSBS0640		3	3	3	3	
<b>224</b>	80817336	Elbow Union (ML-2122)	Aboished after Mar. 2004	Before Mar. 2004	1	1	1	1	
<b>225</b>	80817662	Insert Ring(INS-F12)	Qty was changed after Mar. 2004		2→1				
<b>226</b>	11786421	Oil Return Tube A	F1512-1300 Black		1	1	1	1	
<b>227</b>	80825291	Vinyl Fastener	CV-150		11	11	11	11	
<b>228</b>	00043644	Level Bar Assy			1	1	1	1	
<b>231</b>	11786400	Overflow Tube C	F1506-6500 White		1	1	1	1	
<b>232</b>	90740508	Hex Bolt with Washer	HBPO508SE		2	2	2	2	
<b>233</b>	11317490	Suction Pipe Cover			1	1	1	1	
<b>234-1</b>	11787261	Tank Cover		Before 0003007	1	1	1	1	
<b>235</b>	10172384	Suction Pipe			1	1	1	1	
<b>236</b>	80818951	Strainer	SS-40610-10		1	1	1	1	
<b>237</b>	80810704	Male and Female Elbow	STE1/2SE		1	1	1	1	
<b>238</b>	00099481	Oil Tank			1	1	1	1	
<b>239</b>	80800250	O Ring	P12		1	1	1	1	
<b>240</b>	90911220	Hex Bolt	HB1220SE		1	1	1	1	
<b>242</b>	00311341	Unit Base			1	1	1	1	
<b>243-1</b>	11786360	Air Tube B	F1506-705 Black	Before Mar. 2004	1	1	1	1	
<b>244</b>	80810702	Male and Female Elbow	STE1/4SE		1	1	1	1	
<b>245</b>	80814412	Bushing	HS-M-1/4X1/8		1	1	1	1	
<b>246</b>	80818575	Check Valve	CVR01A		1	1	1	1	
<b>247</b>	80821097	Quick Exhaust Valve	EQ02-C06P01C10	made of aluminum	1	1	1	1	
<b>248</b>	80811812	Tee	T1/4SE		1	1	1	1	
<b>249</b>	80817226	Elbow Union	ZL-062		2	2	2	2	
<b>250</b>	11786380	Air Tube C	F1506-6500 Red		1	1	1	1	
<b>251</b>	80811102	Nipple	NP1/4SE		2	2	2	2	
<b>252-1</b>	00311180	Lowering Cylinder Assy		Before Mar. 2004	1	1	1	1	

# Hyd. Unit (0003008 ~ March 2004)



**Note :**

Ask Bishamon for Export Model Info. of Hyd. Unit and Electric Components. Serial No. Info. would be Required. Some parts Info. shown in this Parts List could be only for Japanese market.



# Hyd. Unit (0003008 ~ March 2004)

# SCL3000 Series

Note : Ask Bishamon for the info. of 380V/400V Electric Components. Below Info. Is for 200V Model.

Ill. No.	Parts No.	Parts Name	Standard	Change Date & Note	Qty/Unit				Price/ea.
					3000	3000A	3000P	3000AP	
254	90920820	Hex Socket Head Cap Bolt	HSB0820		2	2	2	2	
255	90750425	Pan Head Screw	MSRP0425SE		2	2	2	2	
256-1	75007461	Unit Hyd. Pipe A Assy		Before Mar. 2004	1	1	1	1	
257-1	75001550	Sub Plate & Valve Assy	Refer to Page 20・21	Before Mar. 2004	1	1	1	1	
258	80813910	90° Elbow	HS-E1-10X1/4		1	1	1	1	
259-1	75007321	Unit Hyd. Pipe B Assy		Before Mar. 2004	1	1	1	1	
260	90920620	Hex Socket Head Cap Bolt	HSB0620		2	2	2	2	
261-1	00124360	Valve Lever Assy		Before Mar. 2004	1	1	1	1	
262	90810520	Roll Pin	SRP0520 Stainless		2	2	2	2	
263-1	00311190	Sub Plate Base		Before Mar. 2004	1	1	1	1	
264	90740820	Hex Bolt	HBP0820SE		2	2	2	2	
266-1	80820756	Limit Switch	Z-15GD-B (Omron)	Before Mar. 2004	1	1	1	1	
266-2	75024020	Micro Switch Assy (with cable)	ABV121440	After Apr. 2004	1	1	1	1	
267	90890612	Hex Bolt	HBS0612SE		2	2	2	2	
268	90750320	Pan Head Screw	MSRP0320SE		2	2	2	2	
269	80817074	C Union	SLC-065MV		1	1	1	1	
270-1	80821180	Selex Valve	3GA110-M5-DC24	Before Sep. 2003	1	1	1	1	
270-2	80821105	Selex Valve	3KA110-M5	Oct. 2003~Mar. 2004	1	1	1	1	
271	90760820	Hex Bolt	HSBS0820		2	2	2	2	
272-1	11503300	Air Filter Fixing Plate		Before Mar. 2004	1	1	1	1	
273	51307480	Air Filter Hose	F1506-300 Black		2	2	2	2	
274	80821098	Quick Exhaust Valve (AQ304F-06-00)	Aboished after Mar. 2004	Before Mar. 2004	1	1	1	1	
275	11786340	Air Tube A	F1506-8500 Black		1	1	1	1	
276	80810702	Male and Female Elbow	STE1/4SE		1	1	1	1	
277	80827504	Air Chucking Male	PT1/4		1	1	1	1	
278	80821173	Air Filter Regulator	B7019-2C-M		1	1	1	1	
280	80817012	Half Union	CH-065MS		1	1	1	1	
282	N/A	Synchro Cylinder Assy	Replace with Hyd. Unit Assy		1	1	1	1	N/A
284	80812970	Adaptor	N014 (G1/4XR1/4)		2	2	2	2	
286	11787360	Hyd. Hose B	SIB210-6-7400		2	2	2	2	
290	11787180	Unit Case Cover			1	1	1	1	
291-1	90780612	Pan Head Screw	MSRPS0612SE	Before Mar. 2004	4	4	4	4	
291-2	90862930	Screw	SRHFST0508SE	After 0404001	4	4	4	4	
292	00311381	Unit Case A		Before Mar. 2004	1	1	1	1	
294-1	90800520	Pan Head Screw	MSRS0520SE	Before 0109011	4	4	4	4	
294-2	90800615	Pan Head Screw	MSRS0615SE	After 0109012	4	4	4	4	
295	80821845	Gromet (C-30-SG-50A)	Abolished after Sep. 2001	Before Sept. 2001	1	1	1	1	
296	00311400	Unit Case B			1	1	1	1	
297	90750615	Pan Head Screw	MSRPS0615SE		2	2	2	2	
298	80811740	Female Elbow Union	MB-5112		1	1	1	1	
299-1	11317500	Suction Joint	Aboished after Mar. 2004	Before Mar. 2004	1	1	1	1	
501	80813910	90° Elbow	HS-E1-10X1/4		1	1	1	1	
502	11786470	Fixing Tie			1	1	1	1	
503	90930508	Spring Washer	SW08SE		2	2	2	2	
504	90930108	Hex Nut	HN08SE		2	2	2	2	
505	80817028	Elbow Union (SLL-061V)	added to Tank Cover	After Apr. 2001	2	2	2	2	
	80817066	Sraight Union (MS-4120) (for retaining Oil Return Tube A)		After Apr. 2004	1	1	1	1	
	80817612	Insert Ring (INS-F12) (for retaining Oil Return Tube A)		After Apr. 2004	1	1	1	1	
	10317000	Orifice	added inside No. 258	After Apr. 2004	1	1	1	1	
	11500060	Lowering Valve Hook	for emergency lowering (comes with lift in delivery)	After Apr. 2004	1	1	1	1	
785	90930705	Flat Washer	PW05SE	After 0404001	4	4	4	4	

Note : Paint Color of Hyd. Unit

Sugiyasu Blue -

White -

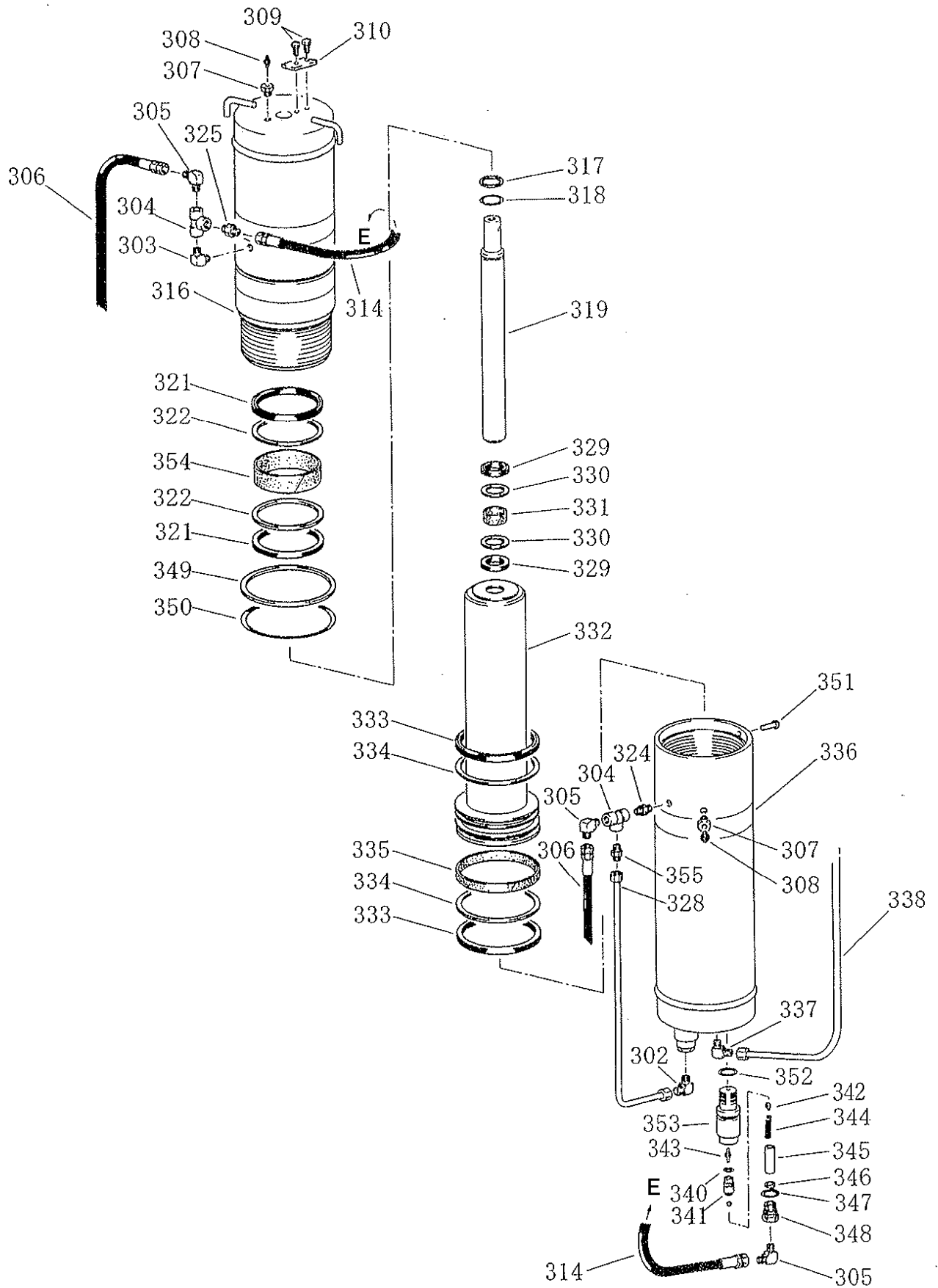
Black -

Before Mar. 2000

Apr. 2000~Dec. 2009

After Jan. 2010

# Synchro Cylinder (0003008~ March 2004)



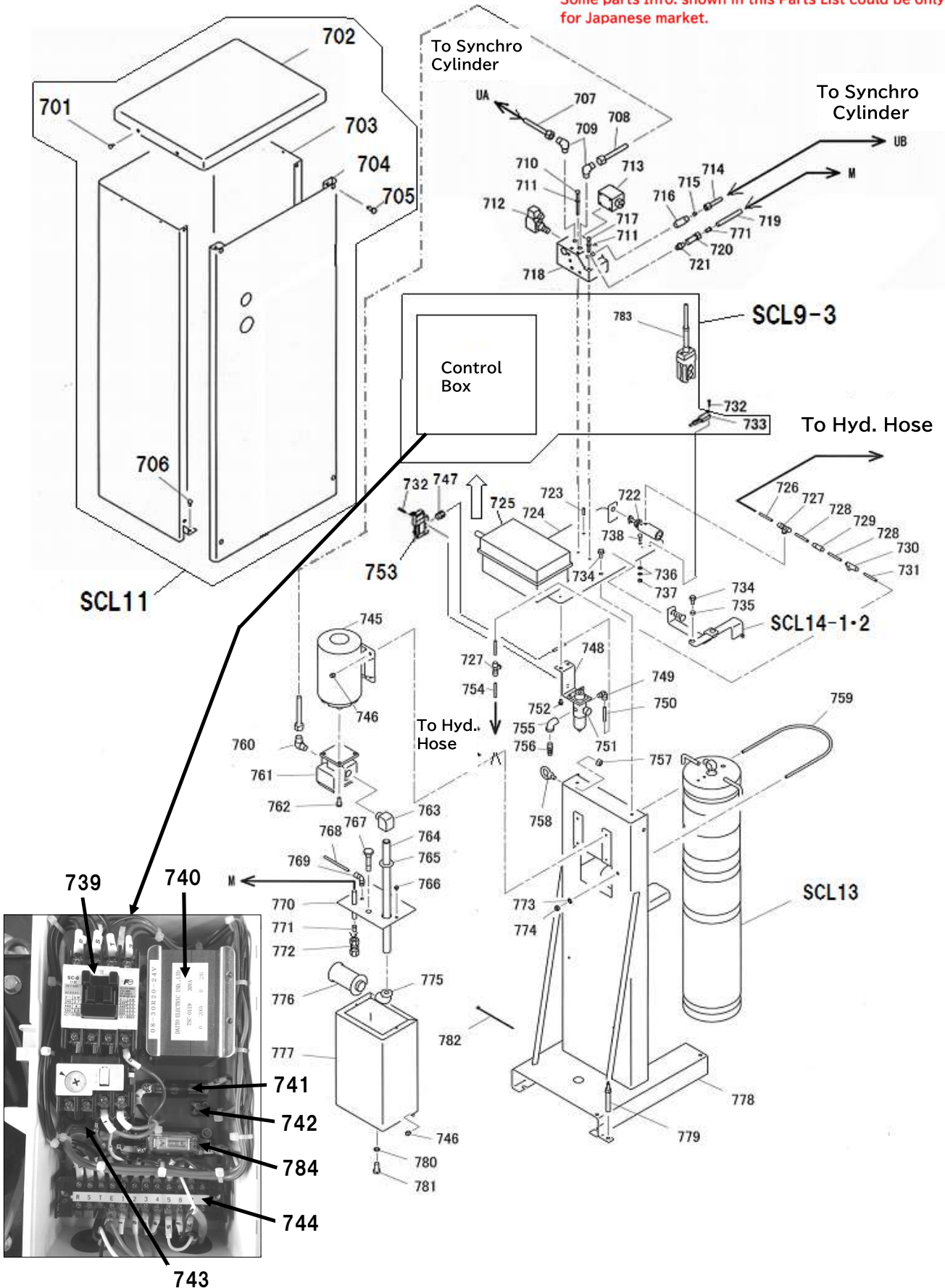
## Synchro Cylinder (0003008~ March 2004)

## SCL3000 Series

Ill. No.	Parts No.	Parts Name	Standard	Change Date & Note	Qty/Unit				Price/ea.
					3000	3000A	3000P	3000AP	
SCL17-1	75007362	Synchro Cylinder Seal Kit	317・318・321~322・329~331・333~335・340・347・349・350・352・354	Replacable after 0003008 (some parts not to be used)	1	1	1	1	
SCL12-2	75007370	Synchro Check Valve & Housing Set	340~348・353	Replace by set	2	2	2	2	
SCL18	75007520	Pipe Rod Stopper Assy	310-2・362・363		1	1	1	1	
302	80813910	90° Elbow	HS-E1-10X1/4		1	1	1	1	
303	80813920	90° Male Elbow	HS-SJ-1/4X1/4		1	1	1	1	
304	80815202	Tee	HS-TC-1/4		2	2	2	2	
305	80812970	Adaptor	N014 (PF1/4XPT1/4)		3	3	3	3	
306	11787360	Hyd. Hose B	SIB210-6-7400		2	2	2	2	
307	11116020	Air Bleeder Plug			2	2	2	2	
308	11116030	Air Bleeder Valve			2	2	2	2	
309	90890815	Hex Bolt	HBS0815SE		2	2	2	2	
310-1	N/A	Link Center Shaft Stopper	Replace by SCL18	Before Nov. 2007	1	1	1	1	N/A
310-2	N/A	Pipe Rod Stopper	Replace by SCL18	After Dec. 2007	1	1	1	1	N/A
314	11788340	Hyd. Hose C	SIB210-6-1400		1	1	1	1	
316-1	※	S Cylinder			1	1	1	1	N/A
316-2	※	S Cylinder		After 0101025	1	1	1	1	N/A
317-1	80806034	Back Up Ring	P34-B	0003008~Jan. 2004	1	1	1	1	
317-2	80806830	Back Up Ring	BRT2 30X40X3 (NOK)	After 0402025	1	1	1	1	
318-1	80800533	O Ring	P34-1B	0003008~Jan. 2004	1	1	1	1	
318-2	80801330	U Packing	USH-30 (NOK)	After 0402025	1	1	1	1	
319-1	00311321	Pipe Rod		0003008~Jan. 2004	1	1	1	1	
319-2	00311322	Pipe Rod		After 0402025	1	1	1	1	
321	80802211	U Packing	RNY-110		2	2	2	2	
322	80806412	Back Up Ring	TCS-125X110		2	2	2	2	
324	80814501	Nipple	HS-NA-1/4		1	1	1	1	
325	80812950	Adaptor	N010 (PF1/4XPT1/4)		1	1	1	1	
328	75007442	Bypass Pipe Assy			1	1	1	1	
329	80802240	U Packing	RNY-40		2	2	2	2	
330	80806450	Back Up Ring	TCS-50X40		2	2	2	2	
331	11787680	Wearing 45			1	1	1	1	
332	00311301	Ram			1	1	1	1	
333	80801915	U Packing	RGY-150		2	2	2	2	
334	80806415	Back Up Ring	TCS-150X136		2	2	2	2	
335	80804053	Wearing	SWA-150		1	1	1	1	
336-1	※	M Cylinder			1	1	1	1	N/A
336-2	※	M Cylinder		After 0101025	1	1	1	1	N/A
337	80813912	90° Elbow	HS-E1-12X3/8		1	1	1	1	
338-1	75007461	Unit Hyd. Pipe A Assy		Before Mar. 2004	1	1	1	1	
338-2	75007462	Unit Hyd. Pipe A Assy		After Apr. 2004	1	1	1	1	
340	80800512	O Ring	P12-1B		2	2	2	2	
341	※	Check Valve	Replace by 75007370		2	2	2	2	N/A
342-1-1	※	Steel Ball (9/32A)	Replace by 75007370	Before Aug. 2000	2	2	2	2	N/A
342-1-2	※	Steel Ball Holder	Replace by 75007370	Before Aug. 2000	2	2	2	2	N/A
342-2	※	Lowering Valve Seat	Replace by 75007370	After Sep. 2000	2	2	2	2	N/A
343-1	※	Steel Ball Holder Bar	Replace by 75007370	Before Aug. 2000	2	2	2	2	N/A
343-2	※	Check Valve Holder	Replace by 75007370	After Sep. 2000	2	2	2	2	N/A
344	※	Lowering Valve Holding Spring	Replace by 75007370		2	2	2	2	N/A
345	※	Check Valve Collar	Replace by 75007370		2	2	2	2	N/A
346	※	Filter (TS-C16)	Replace by 75007370		2	2	2	2	N/A
347	※	O Ring (P18-1B)	Replace by 75007370		2	2	2	2	N/A
348	※	Plug	Replace by 75007370		2	2	2	2	N/A
349	11786790	Back Up Ring			1	1	1	1	
350	80800097	O Ring	P145		1	1	1	1	
351	90880625	Rivet	6X25		1	1	1	1	
352	80800040	O Ring	P30-1B		2	2	2	2	
353	※	Oil Stopper Housing	Replace by 75007370		2	2	2	2	N/A
354	11787660	Wearing A		After June 1998	1	1	1	1	
355	80814910	Connector	HS-S-10X1/4		1	1	1	1	
362	90930306	Hex Nut	HN06(3) SE	After Dec. 2007	2	2	2	2	
363	90960615	Hex Socket Head Screw	HSS0615	After Dec. 2007	2	2	2	2	

# Hyd. Unit (After April 2004)

**Note :**  
 Ask Bishamon for Export Model Info. of Hyd. Unit and Electric Components. Serial No. Info. would be Required.  
 Some parts Info. shown in this Parts List could be only for Japanese market.



# Hyd. Unit (After April 2004)

# SCL3000 Series

Note : Ask Bishamon for the info. of 380V/400V Electric Components. Below Info. Is for 200V Model.

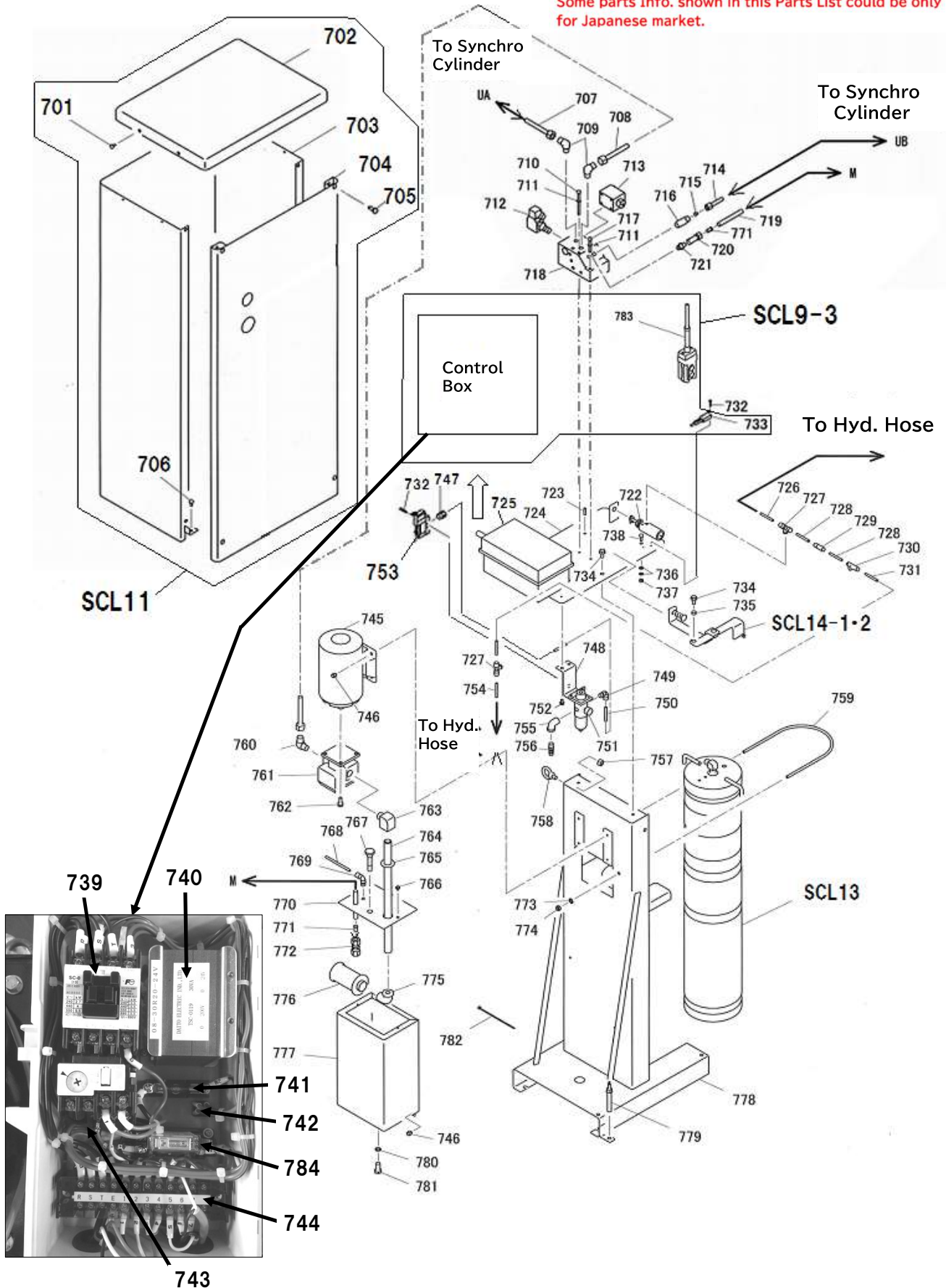
Ill. No.	Parts No.	Parts Name	Standard	Change Date & Note	Qty/Unit				Price/ea.
					3000	3000A	3000P	3000AP	
<b>SCL13</b>	N/A	Synchro Cylinder Assy	851~895	Replace by Hyd. Unit Assy	1	1	1	1	N/A
<b>SCL9-3</b>	00311442	Wiring Set	Control Box Assy		1	1	1	1	
<b>SCL11</b>	75007480	Unit Case Assy	24 · 25-2 · 80 · 701~706 · 785	Serial No. Info. Is required (Refer to P17)	1	1	1	1	
<b>SCL14-1</b>	00124361	Valve Lever Assy		Before May 2010	1	1	1	1	
<b>SCL14-2</b>	00124362	Valve Lever Assy		After June 2010	1	1	1	1	
<b>24</b>	20001144	Caution Label H (English)			1	1	1	1	
<b>25-2</b>	20001141	Caution Label A (English)			1	1	1	1	
<b>80-2</b>	20001143	Caution Label E (English)			1	1	1	1	
<b>701</b>	90862930	Tapping Screw	SRHFST0508SE		4	4	4	4	
<b>702</b>	11787180	Unit Case Cover			1	1	1	1	
<b>703</b>	00311382	Unit Case A			1	1	1	1	
<b>704</b>	00311400	Unit Case B			1	1	1	1	
<b>705</b>	90800615	Pan Head Screw	MSRS0615SE		4	4	4	4	
<b>706</b>	90750615	Pan Head Screw	MSRP0615SE		2	2	2	2	
<b>707</b>	75007462	Unit Hyd. Pipe A Assy			1	1	1	1	
<b>708</b>	75007342	Unit Hyd. Pipe C Assy			1	1	1	1	
<b>709</b>	80813918	90° Elbow	HS-E1-12X1/4		2	2	2	2	
<b>710</b>	90920680	Hex Socket Head Cap Bolt	HSB0680		2	2	2	2	
<b>711</b>	90930506	Spring Washer	SW06SE		4	4	4	4	
<b>712</b>	80818568	Electro Check Valve	7789671A20550C2		1	1	1	1	
<b>713</b>	80818667	Switch Valve	ZDG01A3X5080H		1	1	1	1	
<b>714</b>	75007322	Unit Hyd. Pipe B Assy			1	1	1	1	
<b>715</b>	10317000	Orifice			1	1	1	1	
<b>716</b>	80813910	90° Elbow	HS-E1-10X1/4		1	1	1	1	
<b>717</b>	90920645	Hex Socket Head Cap Bolt	HSB0645		1	1	1	1	
<b>718</b>	11500710	Sub Plate			1	1	1	1	
<b>719</b>	11786421	Oil Return Tube A	F1512-1300		1	1	1	1	
<b>720</b>	80811740	Female Elbow Union	MB-5122		1	1	1	1	
<b>721</b>	80811102	Nipple	NP1/4SE		1	1	1	1	
<b>722</b>	00311170	Air Cylinder Assy			1	1	1	1	
<b>723</b>	90810622	Roll Pin	SRP0622 Stainless		2	2	2	2	
<b>724</b>	00311191	Sub Plate Base			1	1	1	1	
<b>725</b>	51307610	Control Box			1	1	1	1	
<b>726</b>	11786380	Air Tube C	F1506-6500		1	1	1	1	
<b>727</b>	80817074	C Union	SLC-065MV		2	2	2	2	
<b>728</b>	11786450	Valve Connecting Tube	F1506-50		2	2	2	2	
<b>729</b>	80818577	Check Valve	CVU6		1	1	1	1	
<b>730</b>	80821098	Quick Exhaust Valve	AQ304F-06-00		1	1	1	1	
<b>731</b>	11785341	Hook Release Air Tube A	F1506-420		1	1	1	1	
<b>732</b>	90750320	Pan Head Screw	MSRP0320SE		4	4	4	4	
<b>733</b>	75024020	Micro Switch Assy with cable	ABV121440		1	1	1	1	
<b>734</b>	90740820	Hex Bolt	HBP0820SE		3	3	3	3	
<b>735</b>	11500980	Valve Lever Fulcrum Collar			1	1	1	1	
<b>736</b>	90930706	Flat Washer	PW06SE		1	1	1	1	
<b>737</b>	90930106	Hex Nut	HN06SE		1	1	1	1	
<b>738</b>	90920615	Hex Socket Head Cap Bolt	HSB0615		1	1	1	1	



# Hyd. Unit (After April 2004)

**Note :**

Ask Bishamon for Export Model Info. of Hyd. Unit and Electric Components. Serial No. Info. would be Required. Some parts Info. shown in this Parts List could be only for Japanese market.



# Hyd. Unit (After April 2004)

# SCL3000 Series

Note : Ask Bishamon for the info. of 380V/400V Electric Components. Below Info. Is for 200V Model.

Ill. No.	Parts No.	Parts Name	Standard	Change Date & Note	Qty/Unit				Price/ea.
					3000	3000A	3000P	3000AP	
739	80820622	Magnet Contactor & Thermal	SW-0 (Fuji) AC24V		1	1	1	1	
740	80820834	Transformer	P:200V S:18V 24V 30VA		1	1	1	1	
741	80820482	Fuse Holder	F-40001A with FUSE		1	1	1	1	
742	80820596	Rectifier	S2VB20		1	1	1	1	
743	90750421	Pan Head Screw	MSRP0420SE		2	2	2	2	
744	80821297	Terminal Block	TS-61512P		1	1	1	1	
745-1	80820010	Motor (3PH/200V) 1.5 KW	TWC4703AG		1	1	1	1	
745-2	80820145	Motor (3PH/400V) 2.2 KW	T0-K5		1	1	1	1	
746	90790610	Hex Bolt	HBPS0610SE		6	6	6	6	
747	80817015	Half Union	CH-065MS		1	1	1	1	
748	11787270	Air Filter Fixing Plate			1	1	1	1	
749	80817226	Elbow Union	ZL-062		1	1	1	1	
750	51307480	Air Filter Hose	F1506-300 Black		1	1	1	1	
751	80821173	Air Filter Regulator	B7019-2C-M		1	1	1	1	
752	90890612	Hex Bolt	HBS0612SE		2	2	2	2	
753	80821219	Selex Valve	3GA110R-M5-3		1	1	1	1	
754	11786340	Air Tube A	F1506-8500 Black		1	1	1	1	
755	80810702	Male and Female Elbow	STE1/4SE		1	1	1	1	
756	80827504	Air Chuck Male	PT1/4		1	1	1	1	
757	90930110	Hex Nut	HN10SE		2	2	2	2	
758	90851015	Eye Bolt	1B10		2	2	2	2	
759	11786470	Fixing Tie			1	1	1	1	
760	80813912	90° Elbow	HS-E1-12X3/8		1	1	1	1	
761	80818207	Gear Pump	PA4LD728		1	1	1	1	
762	90890820	Hex Bolt	HBS0820SE		4	4	4	4	
763	80813104	Male and Female Elbow	HS-BC-1/2		1	1	1	1	
764	10172384	Suction Pipe			1	1	1	1	
765	11317490	Suction Pipe Cover			1	1	1	1	
766	90740508	Hex Bolt	HBPO508SE		2	2	2	2	
767	00043644	Level Bar Assy			1	1	1	1	
768	11786400	Overflow Tube C	F1506-6500		1	1	1	1	
769	80817028	Elbow Union	SLL-061V		1	1	1	1	
770	11787262	Tank Cover			1	1	1	1	
771	80817612	Insert Ring	INS-F12		2	2	2	2	
772	80817066	Straight Union	MS-4120		1	1	1	1	
773	90930508	Spring Washer	SW08SE		2	2	2	2	
774	90930108	Hex Nut	HN08SE		2	2	2	2	
775	80810704	Male and Female Elbow	STE1/2SE		1	1	1	1	
776	80818951	Strainer	SS-40610-10		1	1	1	1	
777	00099481	Oil Tank			1	1	1	1	
778	00311341	Unit Base			1	1	1	1	
779	91010870	Anchor Bolt	AAC-0870		2	2	2	2	
780	80800250	O Ring	P12		1	1	1	1	
781	90911220	Hex Bolt	HB1220SE		1	1	1	1	
782	80825291	Vinyl Fastener	CV-150		3	3	3	3	
783-1	00469720	Push Button Switch with cable	COB61 + 3 Core(10m)		1	1	1	1	
783-2	71317600	Push Button Switch without cable	COB61		1	1	1	1	
784	80662275	Relay	G7T-1112S		2	2	2	2	
785	90930705	Flat Washer	PW05SE		4	4	4	4	

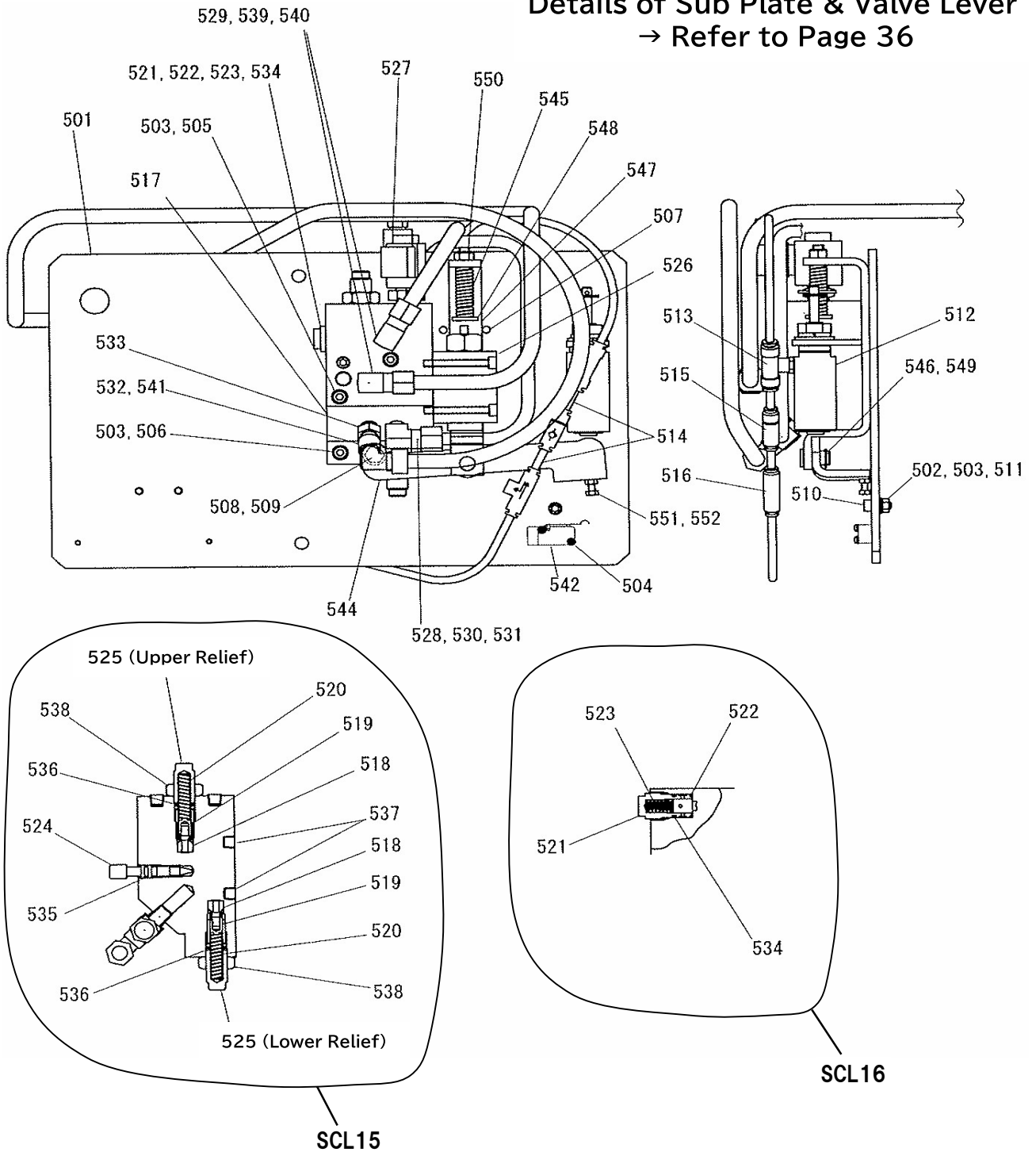
Note : Paint Color of Hyd. Unit

Sugiyasu Blue -  
White -  
Black -

Before Mar. 2000  
Apr. 2000~Dec. 2009  
After Jan. 2010

# Valve etc. (After April 2004)

Details of Sub Plate & Valve Lever  
 → Refer to Page 36



Valve etc. (After April 2004)

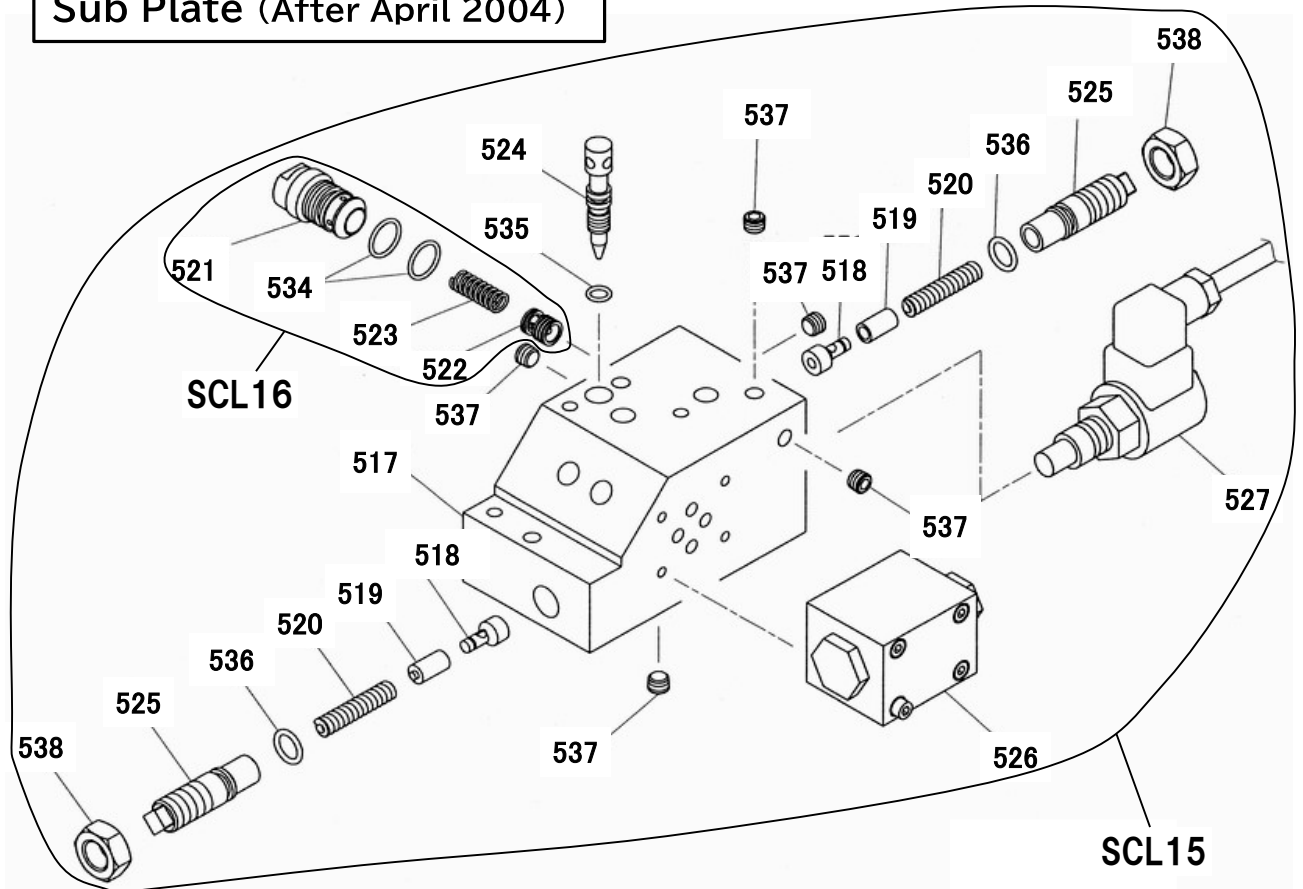
SCL3000 Series

Ill. No.	Parts No.	Parts Name	Standard	Change Date & Note	Qty/Unit				Price/ea.
					3000	3000A	3000P	3000AP	
<b>SCL15</b>	75001551	Sub Plate & Valve Assy	517~538		1	1	1	1	
<b>SCL16</b>	70124401	Flow Control Valve Assy	521~523・534		1	1	1	1	
<b>501</b>	00311191	Sub Plate Base			1	1	1	1	
<b>502</b>	90930706	Flat Washer	PW06SE		1	1	1	1	
<b>503</b>	90930506	Spring Washer	SW06SE		4	4	4	4	
<b>504</b>	90750320	Pan Head Screw	MSRP0320SE		2	2	2	2	
<b>505</b>	90920685	Hex Socket Head Cap Bolt	HSB0680SE		2	2	2	2	
<b>506</b>	90920645	Hex Socket Head Cap Bolt	HSB0645		1	1	1	1	
<b>507</b>	90810622	Roll Pin	SRP0622 Stainless		2	2	2	2	
<b>508</b>	11500980	Valve Lever Fulcrum Collar			1	1	1	1	
<b>509</b>	90890820	Hex Bolt	HBS0820SE		1	1	1	1	
<b>510</b>	90920615	Hex Socket Head Cap Bolt	HSB0615		1	1	1	1	
<b>511</b>	90930106	Hex Nut	HN06SE		1	1	1	1	
<b>512</b>	00311170	Air Cylinder Assy			1	1	1	1	
<b>513</b>	80817074	C Union	SLC-065MV		1	1	1	1	
<b>514</b>	11786450	Valve Connecting Tube	F1506-50		2	2	2	2	
<b>515</b>	80818577	Check Valve	CVU6		1	1	1	1	
<b>516</b>	80821098	Quick Exhaust Valve	AQ304F-06-00		1	1	1	1	
<b>517</b>	11500710	Sub Plate			1	1	1	1	
<b>518</b>	11500771	Relief Spool			2	2	2	2	
<b>519</b>	11500801	Relief Spool Housing			2	2	2	2	
<b>520</b>	50562451	Relief Spring			2	2	2	2	
<b>521</b>	※	Flow Control Housing	Replace with 70124401		1	1	1	1	N/A
<b>522</b>	※	Flow Control Spool	Replace with 70124401		1	1	1	1	N/A
<b>523</b>	※	Flow Control Spring	Replace with 70124401		1	1	1	1	N/A
<b>524</b>	11501220	Lowering Valve			1	1	1	1	
<b>525</b>	11500790	Relief Screw			2	2	2	2	
<b>526</b>	80818667	Switch Valve	ZDG01A3X5080H		1	1	1	1	
<b>527</b>	80818568	Electro Check Valve	7789671A20550C2 (Lowering Valve)		1	1	1	1	
<b>528</b>	80813910	90° Elbow	HS-E1-10X1/4		1	1	1	1	
<b>529</b>	80813918	90° Elbow	HS-E1-12X1/4		2	2	2	2	
<b>530</b>	80814710	Sleeve	HS-P2-10		1	1	1	1	
<b>531</b>	80813610	Nut	HS-C-10		1	1	1	1	
<b>532</b>	80811740	Female Elbow Union	MB-5122		1	1	1	1	
<b>533</b>	80811102	Nipple	NP1/4SE		1	1	1	1	
<b>534</b>	80800516	O Ring	P16-1B		2	2	2	2	
<b>535</b>	80800003	O Ring	P8-1B		1	1	1	1	
<b>536</b>	80800012	O Ring	P12		2	2	2	2	
<b>537</b>	80850001	Hex Socket Head Cap Plug	HSP1/8		12	12	12	12	
<b>538</b>	90930316	Hex Nut	HN16 (3) SE		1	1	1	1	
<b>539</b>	80814712	Sleeve	HS-P2-12		2	2	2	2	
<b>540</b>	80813612	Nut	HS-C-12		2	2	2	2	
<b>541</b>	80817612	Insert Ring	INS-F12		1	1	1	1	
<b>542</b>	75024020	Micro Switch Assy with Cable	ABV121440		1	1	1	1	

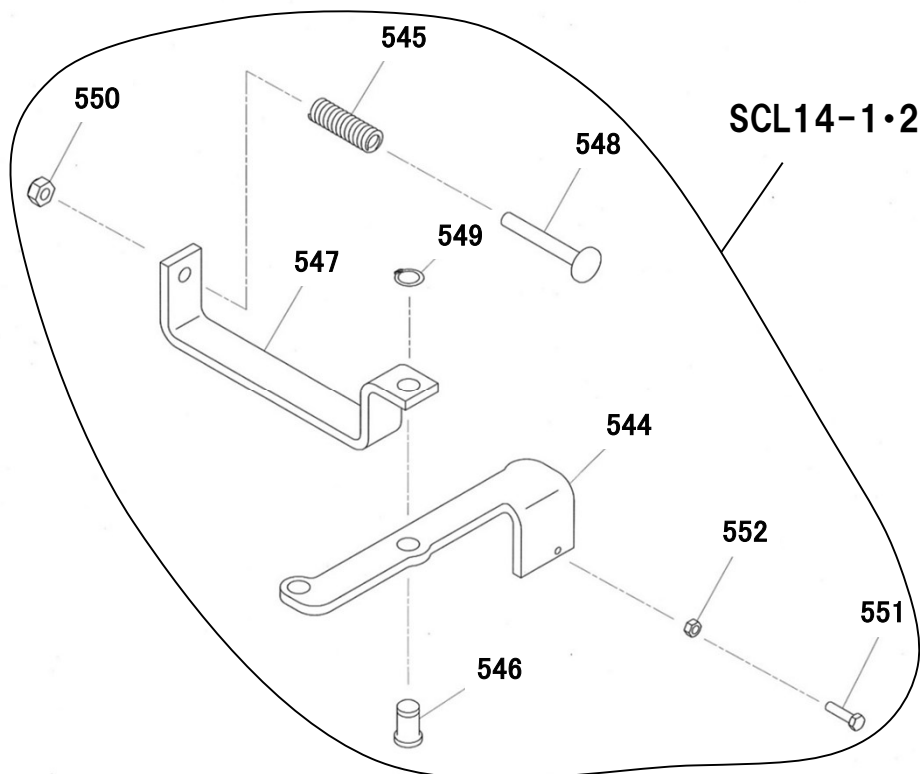
※ Details of Sub Plate & Valve Lever  
→ Refer to Page 36

# Details of Sub Plate & Valve Lever (After April 2004)

## Sub Plate (After April 2004)



## Valve Lever (After April 2004)

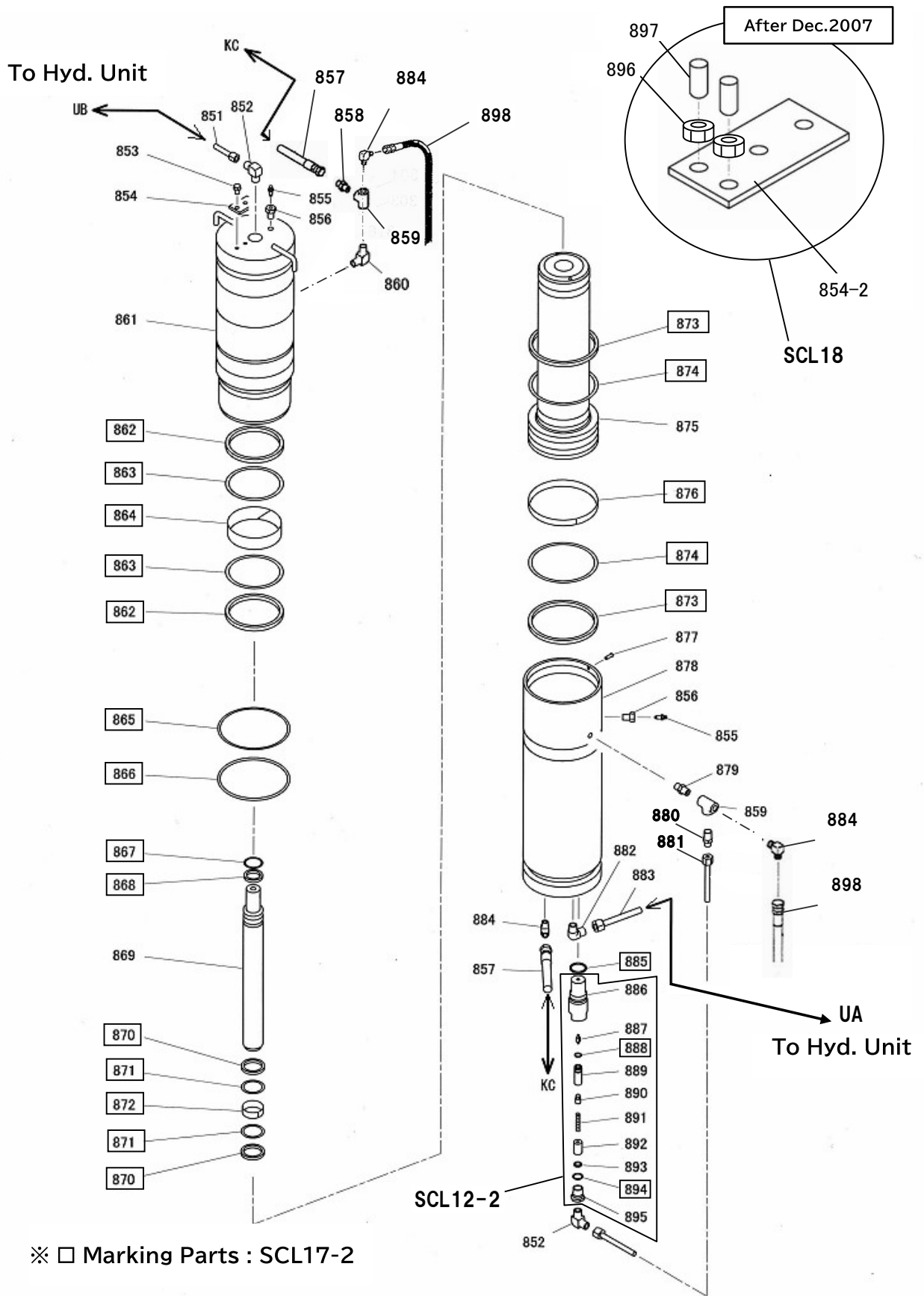


# Sub Plate and Valve Lever (After April 2004)

# SCL3000 Series

Ill. No.	Parts No.	Parts Name	Standard	Change Date & Note	Qty/Unit				Price/ea.
					3000	3000A	3000P	3000AP	
<b>SCL15</b>	75001551	Sub Plate & Valve Assy	517~538		1	1	1	1	
<b>SCL16</b>	70124401	Flow Control Valve Assy	521~523・534		1	1	1	1	
<b>517</b>	11500710	Sub Plate			1	1	1	1	
<b>518</b>	11500771	Relief Spool			2	2	2	2	
<b>519</b>	11500801	Relief Spool Housing			2	2	2	2	
<b>520</b>	50562451	Relief Spring			2	2	2	2	
<b>521</b>	※	Flow Control Housing	Replace with 70124401		1	1	1	1	N/A
<b>522</b>	※	Flow Control Spool	Replace with 70124401		1	1	1	1	N/A
<b>523</b>	※	Flow Control Spring	Replace with 70124401		1	1	1	1	N/A
<b>524</b>	11501220	Lowering Valve			1	1	1	1	
<b>525</b>	11500790	Relief Screw			2	2	2	2	
<b>526</b>	80818667	Switch Valve	ZDG01A3X5080H		1	1	1	1	
<b>527</b>	80818568	Electro Check Valve	7789671A20550C2 (Lowering Valve)		1	1	1	1	
<b>528</b>	80813910	90° Elbow	HS-E1-10X1/4		1	1	1	1	
<b>529</b>	80813918	90° Elbow	HS-E1-12X1/4		2	2	2	2	
<b>530</b>	80814710	Sleeve	HS-P2-10		1	1	1	1	
<b>531</b>	80813610	Nut	HS-C-10		1	1	1	1	
<b>532</b>	80811740	Female Elbow Union	MB-5122		1	1	1	1	
<b>533</b>	80811102	Nipple	NP1/4SE		1	1	1	1	
<b>534</b>	80800516	O Ring	P16-1B		2	2	2	2	
<b>535</b>	80800003	O Ring	P8-1B		1	1	1	1	
<b>536</b>	80800012	O Ring	P12		2	2	2	2	
<b>537</b>	80850001	Hex Socket Head Cap Plug	HSP1/8		12	12	12	12	
<b>538</b>	90930316	Hex Nut	HN16 (3) SE		1	1	1	1	
<b>SCL14-1</b>	00124361	Valve Lever Assy	544~552	Before May 2010	1	1	1	1	
<b>SCL14-2</b>	00124362	Valve Lever Assy	544~552	After June 2010	1	1	1	1	
<b>544</b>	11791060	Valve Lever			1	1	1	1	
<b>545</b>	50627320	Valve Switch Spring			1	1	1	1	
<b>546</b>	11500880	Valve Lever Pin A			1	1	1	1	
<b>547-1</b>	11500900	Valve Holder		Before May 2010	1	1	1	1	
<b>547-2</b>	11500901	Valve Holder		After June 2010	1	1	1	1	
<b>548</b>	10162722	Switch Pin			1	1	1	1	
<b>549</b>	80845003	Snap Ring	RR012		1	1	1	1	
<b>550</b>	90932708	Hex U Nut	HUN08SE		1	1	1	1	
<b>551</b>	90910520	Hex Bolt	HB0520SE		1	1	1	1	
<b>552</b>	90930105	Hex Nut	HN05SE		1	1	1	1	

# Synchro Cylinder (After April 2004)



# Synchro Cylinder (After April 2004)

# SCL3000 Series

Ill. No.	Parts No.	Parts Name	Standard	Change Date & Note	Qty/Unit				Price/ea.
					3000	3000A	3000P	3000AP	
<b>SCL17-2</b>	75007362	Synchro Cylinder Seal Kit	862~868 · 870~874 · 876 · 885 · 888 · 894		1	1	1	1	
<b>SCL12-2</b>	75007370	Synchro Check Valve & Housing Set	886~895		2	2	2	2	
<b>SCL18</b>	75007520	Pipe Rod Stopper Assy	854-2 · 896 · 897		1	1	1	1	
<b>851</b>	75007322	Unit Hyd. Pipe B Assy			1	1	1	1	
<b>852</b>	80813910	90° Elbow	HS-E1-10X1/4		2	2	2	2	
<b>853</b>	90890815	Hex Bolt	HBS0815SE		2	2	2	2	
<b>854-1</b>	N/A	Link Center Shaft Stopper	Replace with SCL18	Before Nov. 2007	1	1	1	1	N/A
<b>854-2</b>	N/A	Pipe Rod Stopper	Replace with SCL18	After Dec. 2007	1	1	1	1	N/A
<b>855</b>	11116030	Breather Valve			2	2	2	2	
<b>856</b>	11116020	Air Bleeder Plug			2	2	2	2	
<b>857</b>	11788340	Hyd. Hose C	S1B210-6-1400		1	1	1	1	
<b>858</b>	80812950	Adaptor	N010 (G1/4XR1/4)		1	1	1	1	
<b>859</b>	80815202	Tee	HS-TC-1/4		2	2	2	2	
<b>860</b>	80813920	90° Male Elbow	HS-SJ-1/4X1/4		1	1	1	1	
<b>861</b>	00311262	S Cylinder			1	1	1	1	
<b>862</b>	80802211	U Packing	RNY-110		2	2	2	2	
<b>863</b>	80806412	Back Up Ring	TCS-125X110		2	2	2	2	
<b>864</b>	11787660	Wearing A			1	1	1	1	
<b>865</b>	80806146	Back Up Ring	P145		1	1	1	1	
<b>866</b>	80800097	O Ring	P145		1	1	1	1	
<b>867</b>	80806830	Back Up Ring	BRT2 30X40X3		1	1	1	1	
<b>868</b>	80801330	U Packing	USH-30		1	1	1	1	
<b>869</b>	00311322	Pipe Rod			1	1	1	1	
<b>870</b>	80802240	U Packing	RNY-40		2	2	2	2	
<b>871</b>	80806450	Back Up Ring	TCS-50X40		2	2	2	2	
<b>872</b>	11787680	Wearing 45			1	1	1	1	
<b>873</b>	80801915	U Packing	RGY-150		2	2	2	2	
<b>874</b>	80806415	Back Up Ring	TCS-150X136		2	2	2	2	
<b>875</b>	00311301	Ram			1	1	1	1	
<b>876</b>	80804053	Wearing	SWA-150		1	1	1	1	
<b>877</b>	90880625	Rivet	6X25		1	1	1	1	
<b>878</b>	00311222	M Cylinder			1	1	1	1	
<b>879</b>	80814501	Nipple	HS-NA-1/4		1	1	1	1	
<b>880</b>	80814910	Connector	HS-S-10X1/4		1	1	1	1	
<b>881</b>	75007442	Bypass Pipe Assy	with Sleeve and Nut		1	1	1	1	
<b>882</b>	80813912	90° Elbow	HS-E1-12X3/8		1	1	1	1	
<b>883</b>	75007462	Unit Hyd. Pipe A Assy			1	1	1	1	
<b>884</b>	80812970	Adaptor	N014 (G1/4XR1/4)		3	3	3	3	
<b>885</b>	80800040	O Ring	P30-1B		2	2	2	2	
<b>886</b>	※	Oil Stopper Housing		Replace with 75007370	2	2	2	2	N/A
<b>887</b>	※	Check Valve Holder		Replace with 75007370	2	2	2	2	N/A
<b>888</b>	※	O Ring		Replace with 75007370	2	2	2	2	N/A
<b>889</b>	※	Check Valve		Replace with 75007370	2	2	2	2	N/A
<b>890</b>	※	Lowering Valve Seat		Replace with 75007370	2	2	2	2	N/A
<b>891</b>	※	Lowering Valve Holding Spring		Replace with 75007370	2	2	2	2	N/A
<b>892</b>	※	Check Valve Collar		Replace with 75007370	2	2	2	2	N/A
<b>893</b>	※	Filter		Replace with 75007370	2	2	2	2	N/A
<b>894</b>	※	O Ring	P18-1B	Replace with 75007370	2	2	2	2	N/A
<b>895</b>	※	Plug		Replace with 75007370	2	2	2	2	N/A
<b>896</b>	90930306	Hex Nut	HN06 (3) SE	After Dec. 2007	2	2	2	2	
<b>897</b>	90960615	Hex Socket Head Screw	HSS0615	After Dec. 2007	2	2	2	2	
<b>898</b>	11787360	Hyd. Hose B			2	2	2	2	



# **Bishamon**



**Sugiyasu Corporation**

3-21, 4-Chome, Hongo-Cho, Takahama City,  
Aichi, Japan 444-1394  
Tel. 81-566-53-1126, Fax. 81-566-53-1844  
<http://www.bishamon.co.jp/>